

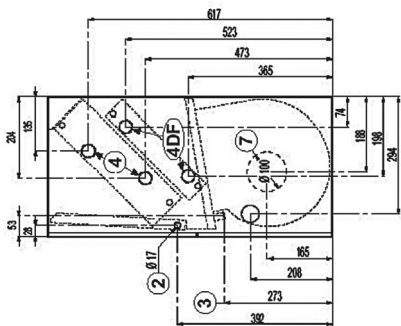
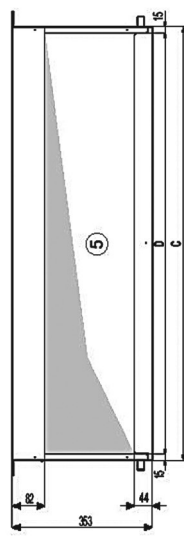
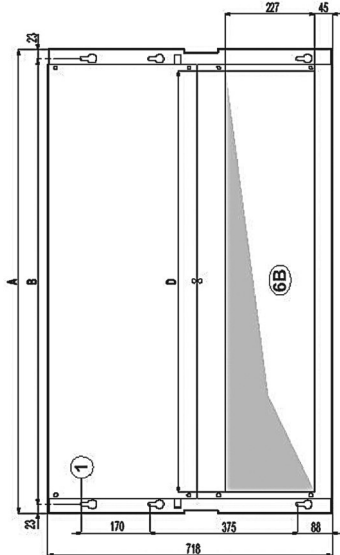
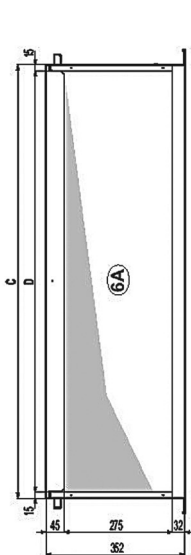
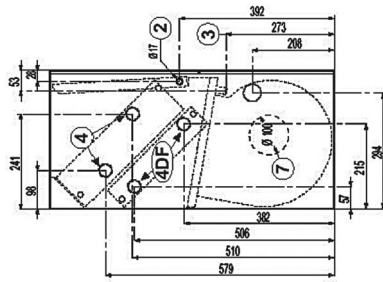
4TW60224-1A_A

NOTES

- 1 6 fast-coupling slots
- 2 Condensate drainage for horizontal installation
- 3 Condensate drainage for vertical installation
- 4 Hydraulic connections
4 = standard heat exchanger
4 DF = supplementary heat exchanger
- 5 Air delivery
- 6 Air intake
6A = supply terms
6B = changeable during installation
- 7 Round pre-sheared element (J 100 mm) for fresh air intake

FWD04AT/AF	FWD06AT/AF	FWD08AT/AF	FWD10AT/AF	FWD12AT/AF	FWD16AT/AF	FWD18AT/AF
3/4"	3/4"	3/4"	3/4"	1"	1"	1"

	A	B	C	D
FWD04AT/AF	754	707	676	646
FWD06AT/AF	964	917	886	856
FWD08+10AT/AF	1174	1127	1096	1066



4TW60224-1A_B

NOTES

- 1 6 fast-coupling slots
- 2 Condensate drainage for horizontal installation
- 3 Condensate drainage for vertical installation
- 4 Hydraulic connections
4 = standard heat exchanger
4 DF = supplementary heat exchanger
- 5 Air delivery
- 6 Air intake
6A = supply terms
6B = changeable during installation
- 7 Round pre-sheared element (J 100 mm) for fresh air intake

FWD04AT/AF	FWD06AT/AF	FWD08AT/AF	FWD10AT/AF	FWD12AT/AF	FWD16AT/AF	FWD18AT/AF
3/4"	3/4"	3/4"	3/4"	1"	1"	1"

	A	B	C	D
FWD12AT/AF	1174	1127	1096	1066
FWD16+18AT/AF	1384	1337	1306	1276