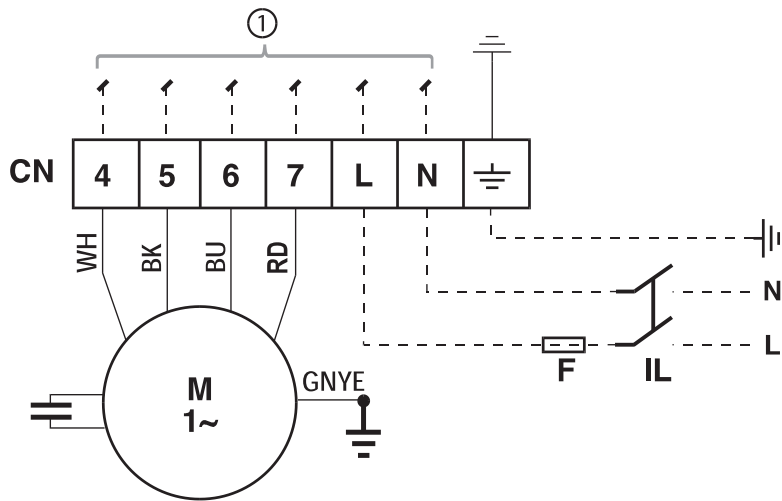


SYMBOLS

BK	Black = maximum speed
BU	Blue = medium speed
GNYE	Yellow/Green = earth connection
RD	Red = minimum speed
WH	White = common
---	Field wiring
F	Protection fuse (field supply)
IL	Main switch (field supply)
M	Fan motor
PE	Earth connection



230V, 1~50Hz