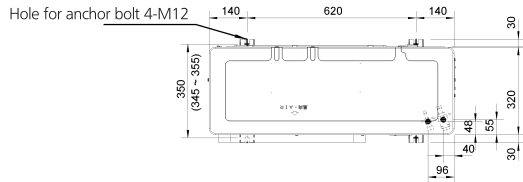
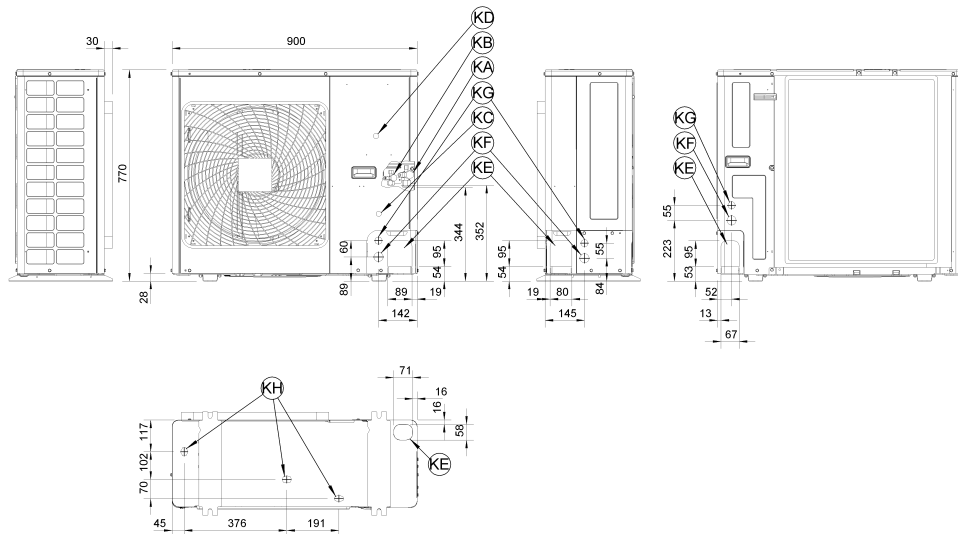


AZQS71BV1

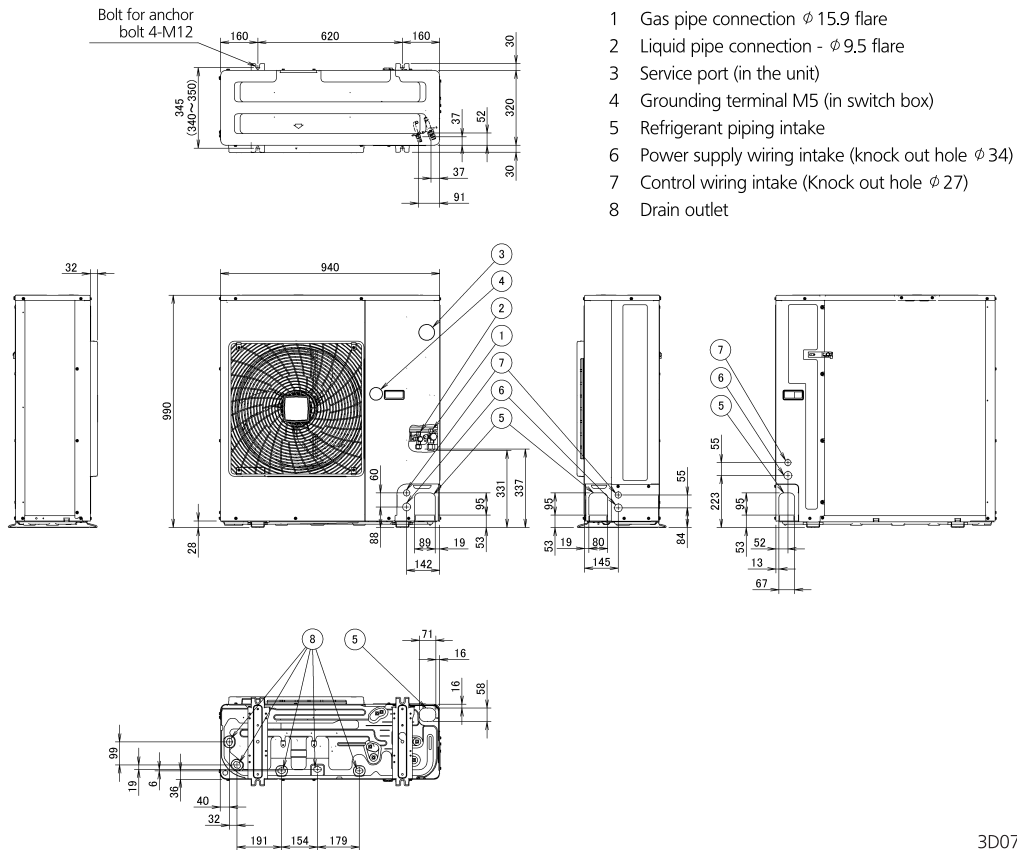
unit (mm)



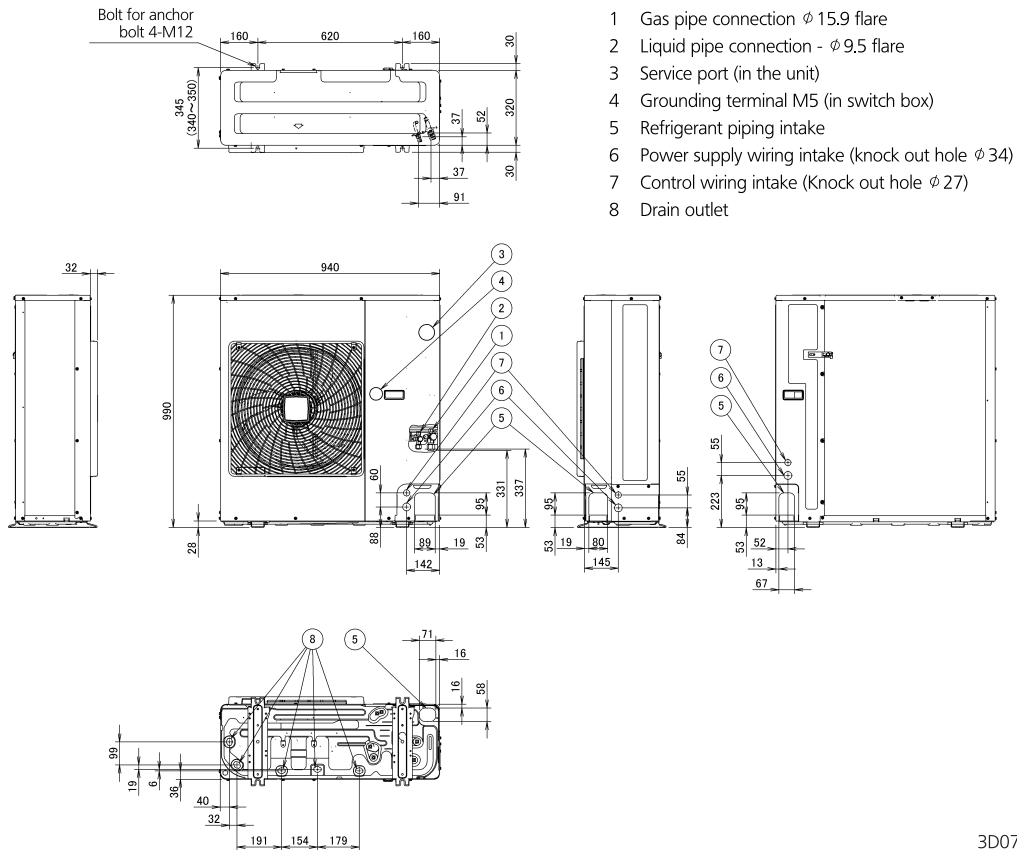
- KA Gas pipe connection ϕ 15.9 flare
- KB Liquid pipe connection - ϕ 9.5 flare
- KC Service port (in the unit)
- KD Grounding terminal M5 (in switch box)
- KE Refrigerant piping intake
- KF Power supply wiring intake (knock hole ϕ 34)
- KG Control wiring intake (knock hole ϕ 27)
- KH Drain outlet



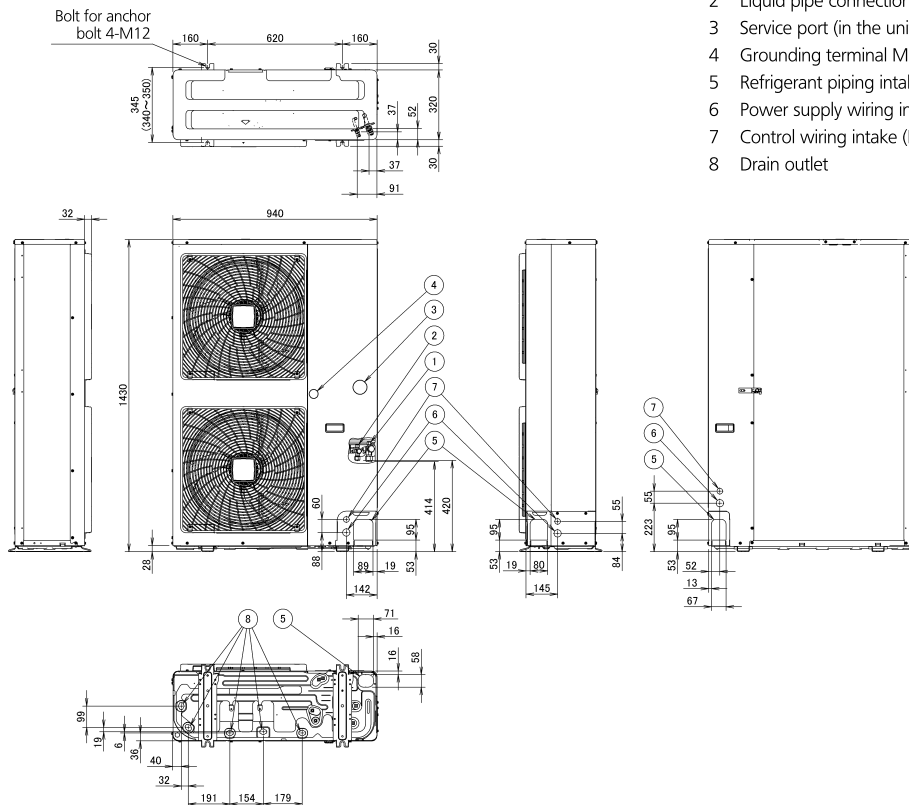
AZQS100-125BV1



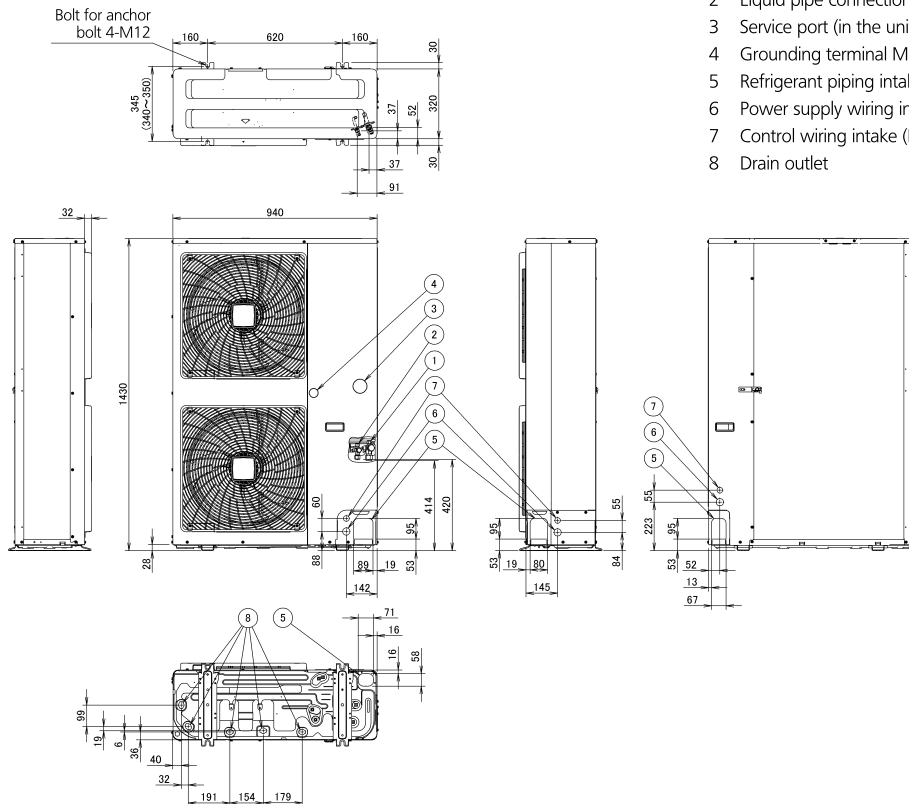
AZQS100-125BY1



AZQS140BV1



AZQS140BY1



- 1 Gas pipe connection ϕ 15.9 flare
- 2 Liquid pipe connection - ϕ 9.5 flare
- 3 Service port (in the unit)
- 4 Grounding terminal M5 (in switch box)
- 5 Refrigerant piping intake
- 6 Power supply wiring intake (knock out hole ϕ 34)
- 7 Control wiring intake (Knock out hole ϕ 27)
- 8 Drain outlet