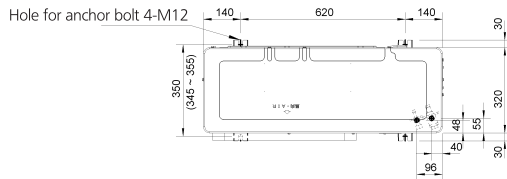
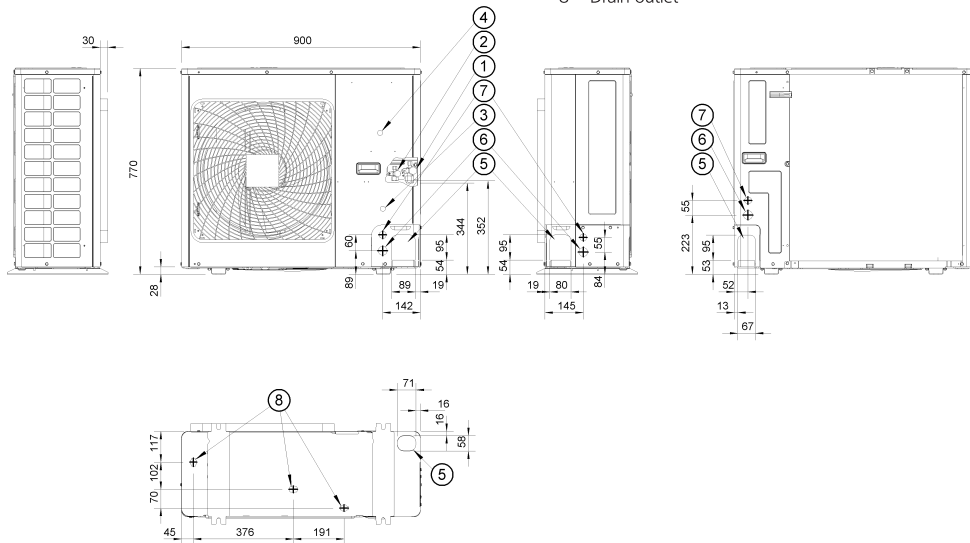


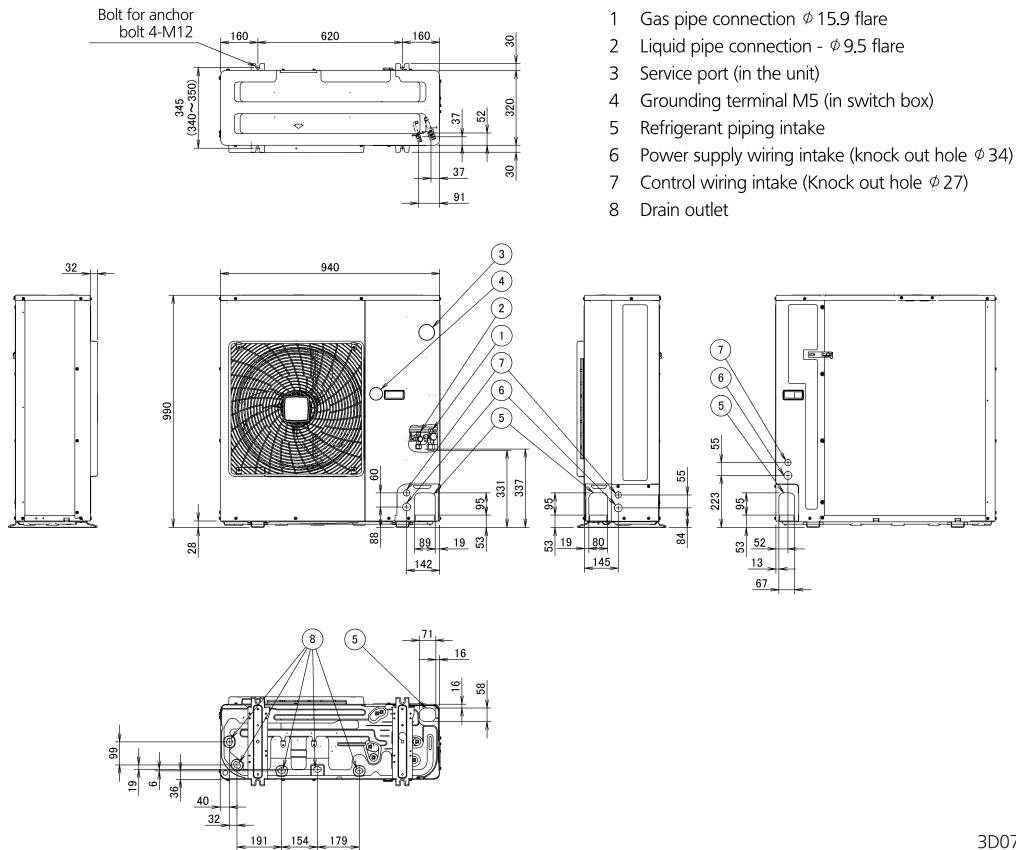
RZQSG71L3V1



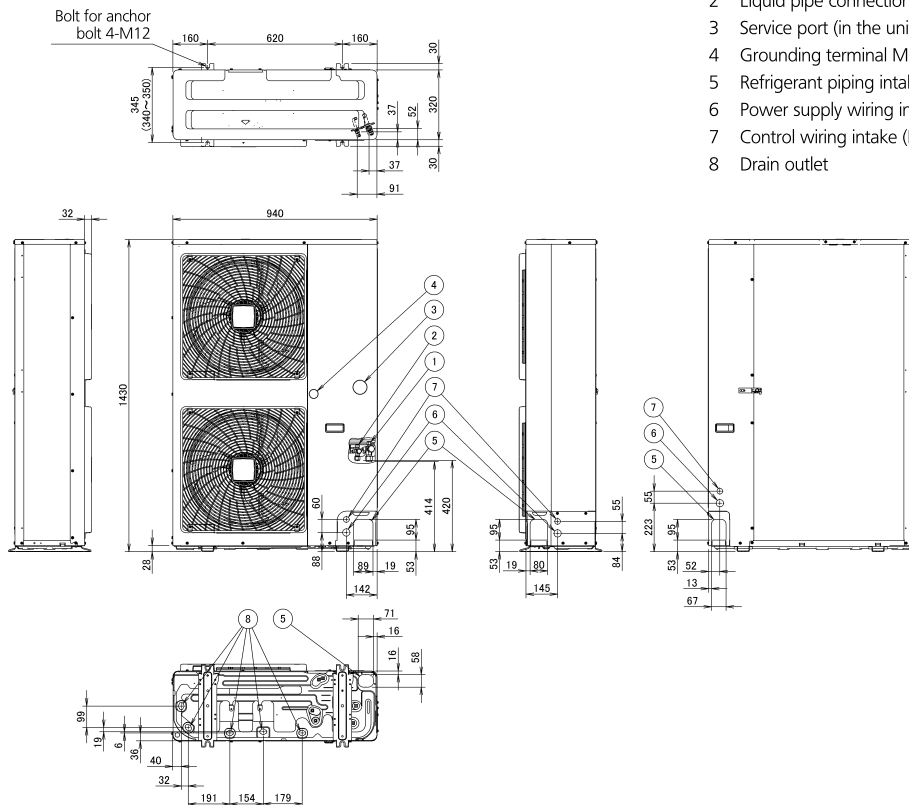
- 1 Gas pipe connection ϕ 15.9 flare
- 2 Liquid pipe connection - ϕ 9.5 flare
- 3 Service port (in the unit)
- 4 Grounding terminal M5 (in switch box)
- 5 Refrigerant piping intake
- 6 Power supply wiring intake (knock hole ϕ 34)
- 7 Control wiring intake (knock hole ϕ 27)
- 8 Drain outlet



RZQSG100-125L9V1

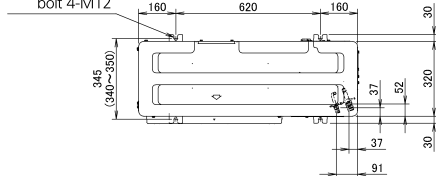


RZQSG140L9V1

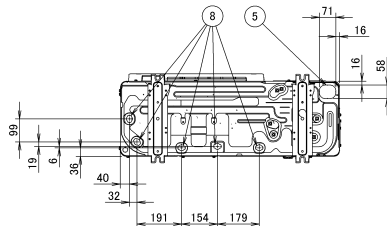
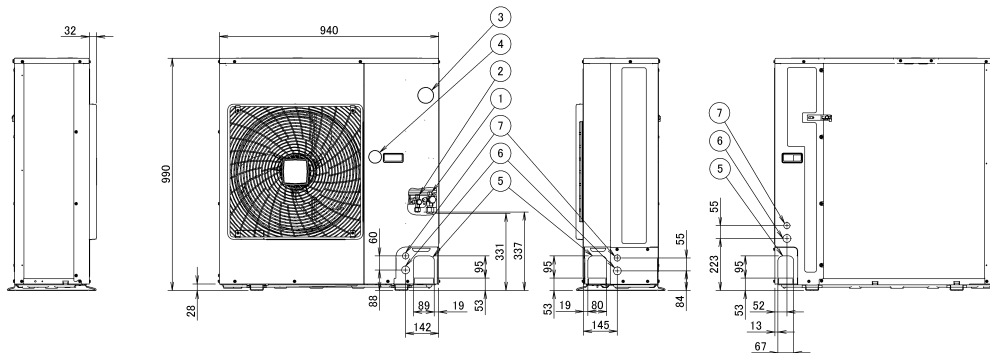


RZQSG100-125L8Y1

Bolt for anchor
bolt 4-M12



- 1 Gas connection pipe ϕ 15.9 flare
- 2 Liquid connection pipe ϕ 9.5 flare
- 3 Service port (in the unit)
- 4 Grounding terminal M5 (in switch box)
- 5 Refrigerant piping intake
- 6 Power supply wiring intake (knock out hole ϕ 34)
- 7 Control wiring intake (knock out hole ϕ 27)
- 8 Drain outlet



RZQSG140LY1

