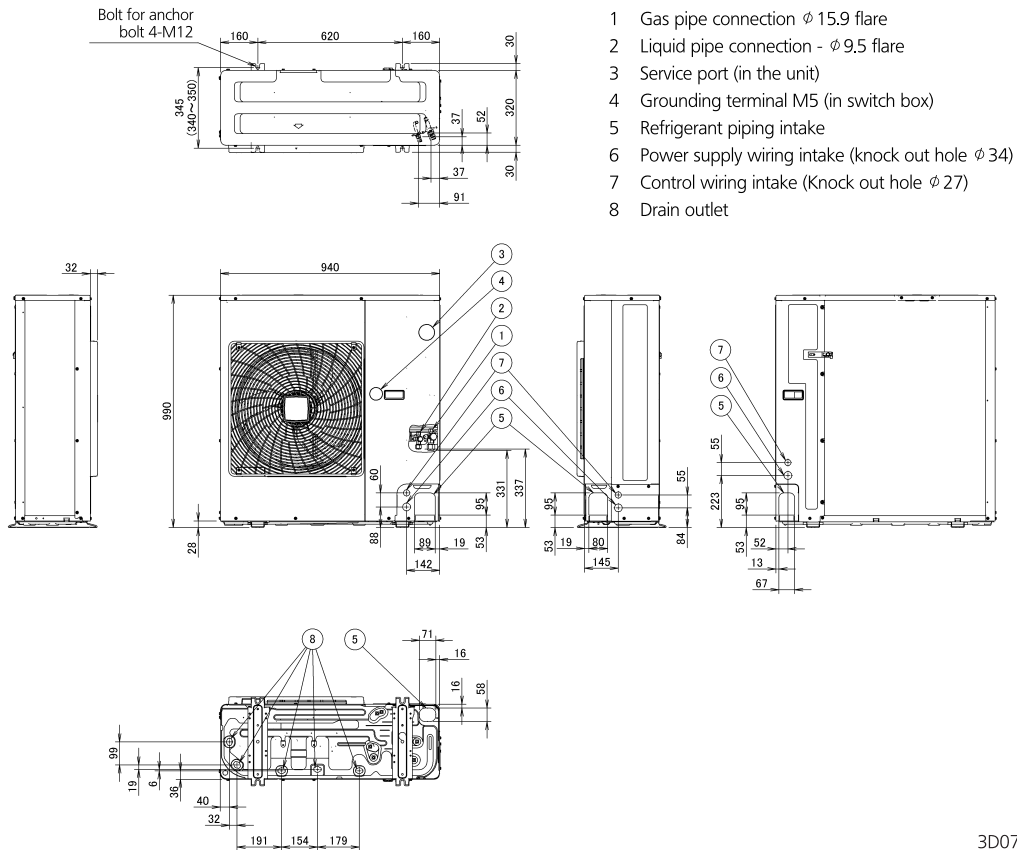
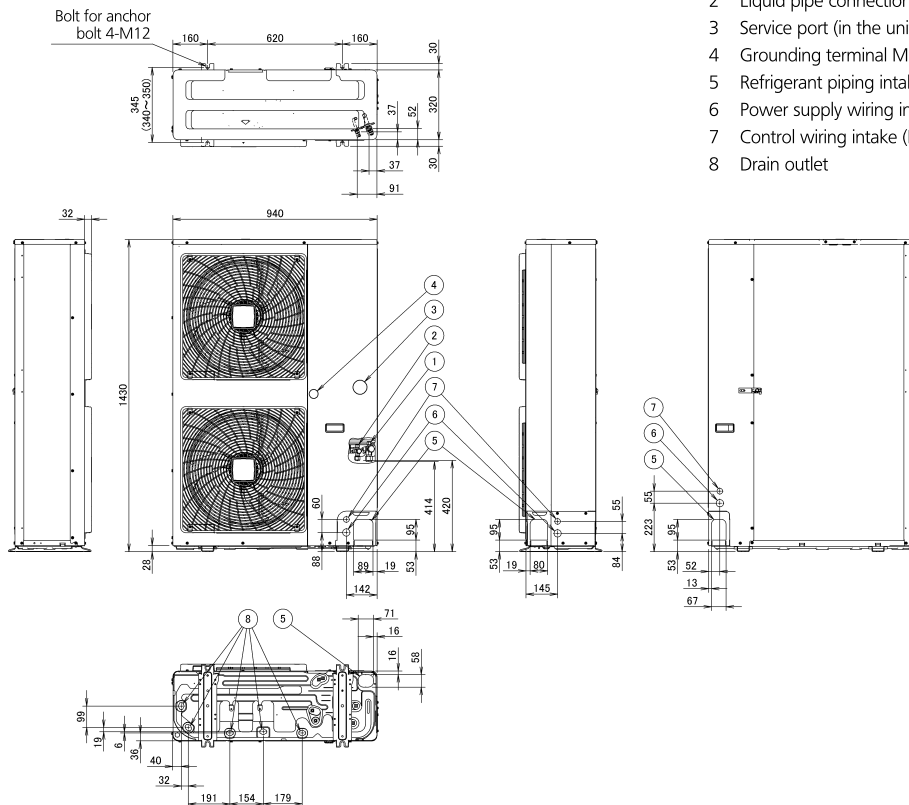


RZQG71L9V1



RZQG100-140L9V1



- 1 Gas pipe connection ϕ 15.9 flare
- 2 Liquid pipe connection - ϕ 9.5 flare
- 3 Service port (in the unit)
- 4 Grounding terminal M5 (in switch box)
- 5 Refrigerant piping intake
- 6 Power supply wiring intake (knock out hole ϕ 34)
- 7 Control wiring intake (Knock out hole ϕ 27)
- 8 Drain outlet

RZQSG140LY1

