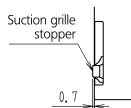
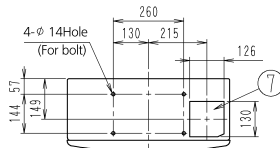
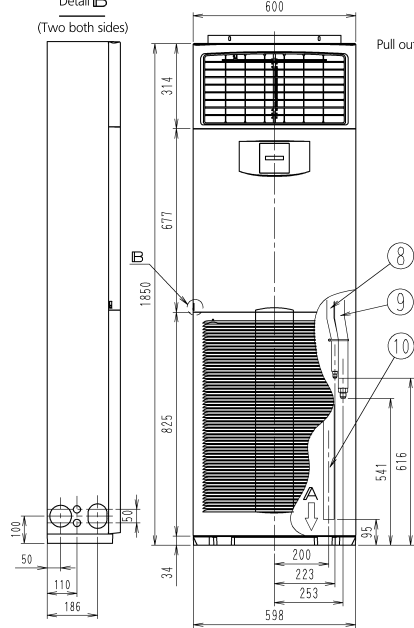


FVQ71C



Detail B

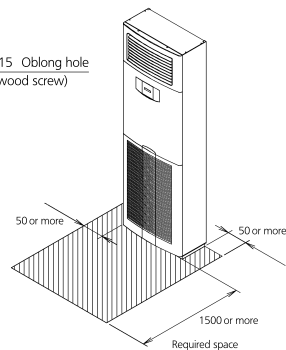
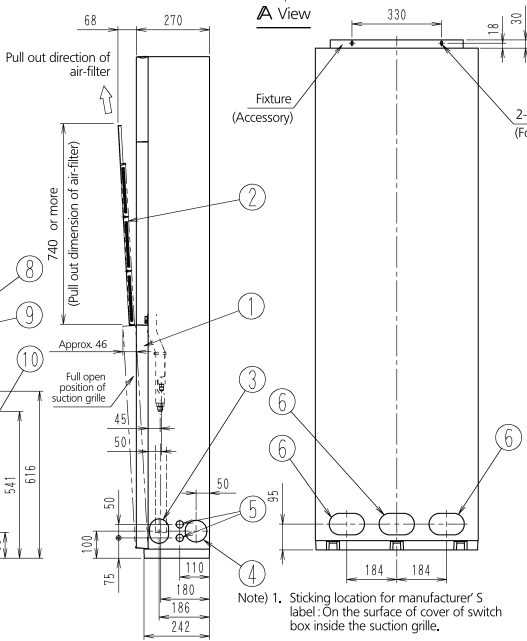
(Two both sides)



A View

This model to be fixed with fixture as shown below.
In case of fixing it at the bottom

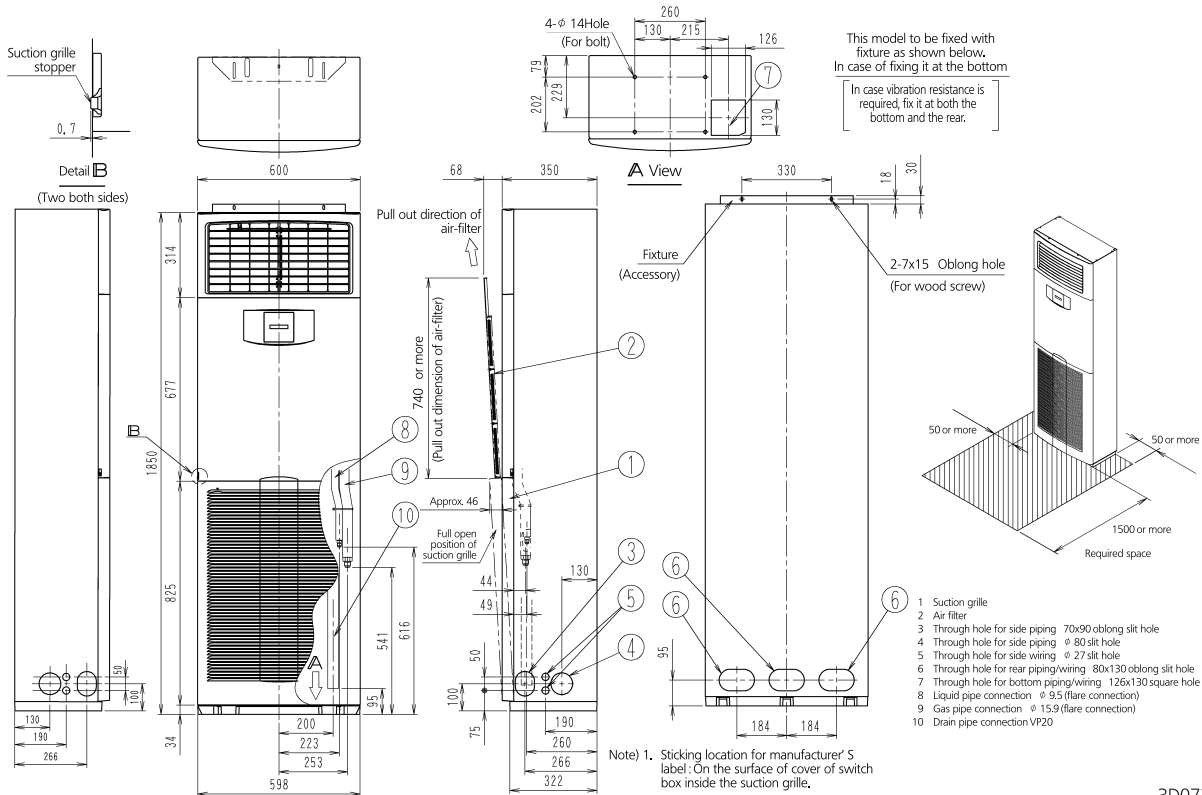
In case vibration resistance is required, fix it at both the bottom and the rear.



- 1 Suction grille
- 2 Air filter
- 3 Through hole for side piping 70x90 oblong slit hole
- 4 Through hole for side piping ϕ 80 slit hole
- 5 Through hole for side wiring ϕ 27 slit hole
- 6 Through hole for rear piping/wiring 80x130 oblong slit hole
- 7 Through hole for bottom piping/wiring 126x130 square hole
- 8 Liquid pipe connection ϕ 9.5 (flare connection)
- 9 Gas pipe connection ϕ 15.9 (flare connection)
- 10 Drain pipe connection VP20

Note) 1. Sticking location for manufacturer's label: On the surface of cover of switch box inside the suction grille.

FVQ100-125-140C



This model to be fixed with fixture as shown below.
In case of fixing it at the bottom
In case vibration resistance is required, fix it at both the bottom and the rear.