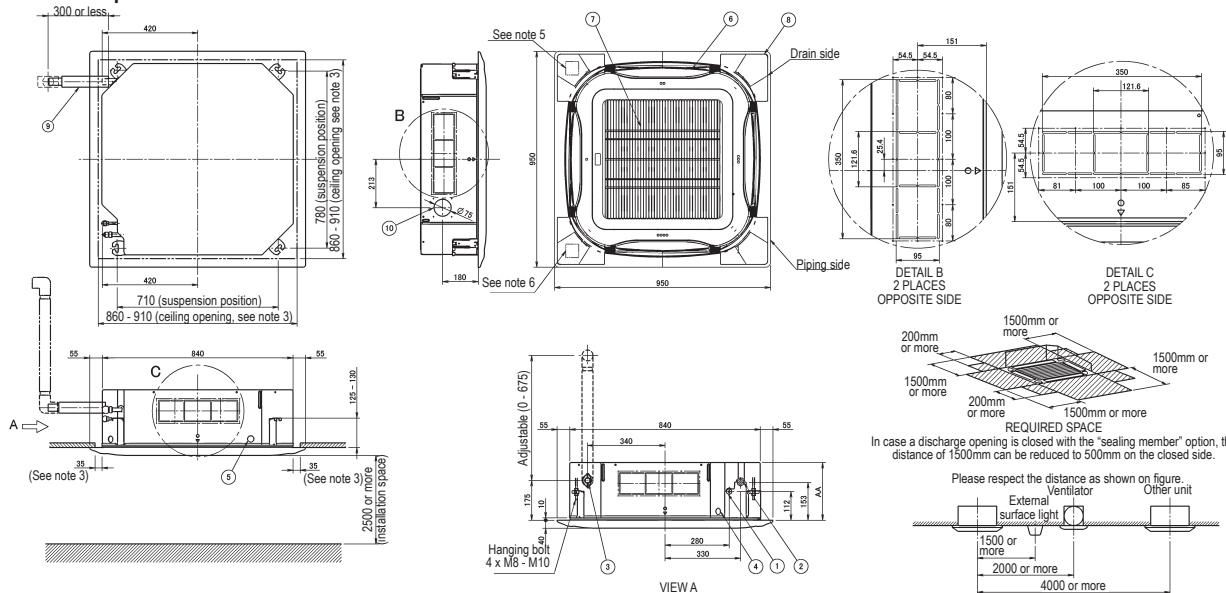


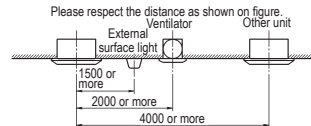
FCQH-G-F with standard panel



NOTE

- Location of the nameplates
 - Unit body: on the control box cover
 - Decoration panel: on the panel frame at the piping side under the corner cover
- When installing an optional accessory, refer to the installation drawings.
 - For fresh air intake kit an inspection part is necessary
- Make sure the spacing between the ceiling and the cassette is no more than 35mm. Max ceiling opening: 910mm
- When the conditions exceed 30°C and RH 80% in the ceiling or fresh air is inducted into the ceiling, an additional insulation is required (polyethylene foam, thickness 10mm or more)
- In case of using a sensor kit, this position will be a sensor, refer to the drawing of the sensor kit for more detail
- In case of using an infrared control, this position will be a receiver, refer to the drawing of the infrared control for more detail

In case a discharge opening is closed with the "sealing member" option, the distance of 1500mm can be reduced to 500mm on the closed side.



Item	Name
1	Liquid pipe connection
2	Gas pipe connection
3	Drain pipe connection
4	Power supply entry hole
5	Transmission wiring entry hole
6	Air discharge opening
7	Air suction grille
8	Corner decoration cover
9	Drain hose
10	Knock out hole

	Model
256	FCQG100-140FVEB, FXFQ80-100AVEB
298	FCQHGT1-140FVEB, FXFQ125AVEB