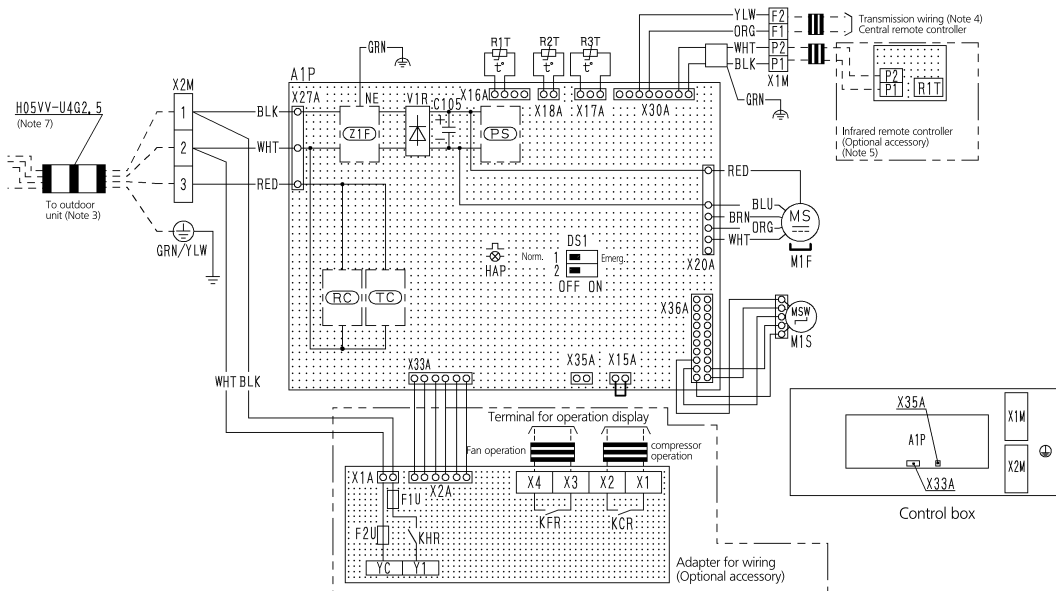


FVQ-CVEB

Indoor unit	
A1P	Printed circuit board
C105	Capacitor
HAP	Flashing lamp (service monitor-green)
M1F	Motor (indoor fan)
M1S	Motor (swing flap)
R1T	Thermistor (air)
R2T-R3T	Thermistor (coil)
DS1	Dipswitch on PCB (emergency)
V1R	Diode bridge
X1M	Terminal block (Remote controller)
X2M	Terminal block (Transmission wiring)
Z1P	Noise filter
ES	Switching power supply
RC	Signal receiver circuit
TC	Signal transmission circuit
Wired remote controller	
R1T	Thermistor (air)
Connector for optional parts	
X33A	Connector (Adapter for wiring)
X35A	Connector (Power supply for adapter)
Adapter for wiring	
F1U	Fuse (C, 5A, 250V)
F2U	Fuse (C, 5A, 250V)
KCR	Magnetic relay
KFR	Magnetic relay
KHR	Magnetic relay



Notes

- Terminal block Connector Short circuit connector
- Field wiring
- For the detail, see wiring diagram attached to outdoor unit.
- In case using central remote controller, connect it to the unit in accordance with the attached installation manual.
- In case of main/sub changeover, see the installation manual attached to remote controller.
- Symbols shows as follows: BLK:Black RED:Red BLU:Blue WHT:White PNK:Pink YLW:Yellow GRY:Gray GRN:Green ORG:Orange BRN:Brown
- Shows only in case of protected pipes, use HO7RN-F in case of no protection.