

# FDQ-B

## Notes

1. When using the central remote control, see manual for connection to the unit.
2. Be sure that the power supply is switched off before opening the switch box.

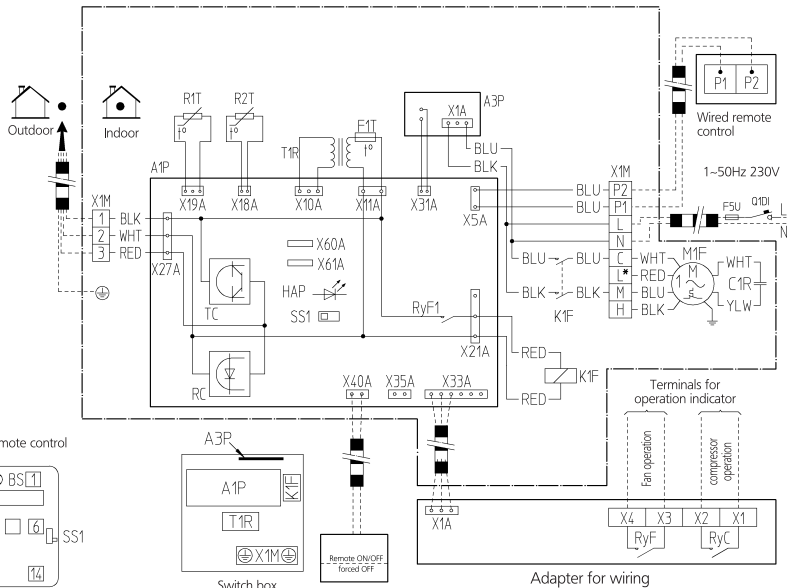
\* L-tap is not available for 250 class.

--- Field wiring    □ Terminal  
 □ Connector    ⊕ Protective earth (screw)

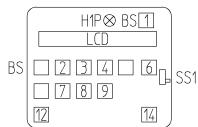
## Colours

BLK: Black / BLU: Blue

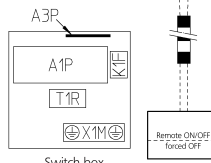
RED: Red / WHT: White / YLW: Yellow



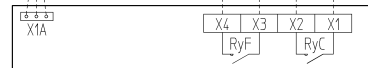
Details of wired remote control



Switch box



Adapter for wiring



A1P	Printed circuit board
T1R	Transformer(230V / 21.8V)
A3P	Printed circuit board
C1R	Capacitor (fan)
F1T	Thermal fuse (M1F embedded)
HAP	Light emitting diode (service monitor green)
K1F	Magnetic contactor (M1F)
M1F	Motor (Fan)

R1T	Thermistor (air)
R2T	Thermistor (coil)
RyF1	Magnetic relay (fan)
SS1	Selector switch (emergency)
X1M	Terminal strip
RC	Signal receiver circuit
TC	Signal transmission circuit
F5U	Fuse
Q1DI	Earth leakage breaker

Wired remote control	
BS1	On/Off button
BS2	Timer mode start/stop button
BS3,BS8	Programming time button
BS4	Temperature setting button up
BS9	Temperature setting button down
BS6	Operation mode selector button
BS7	Timer on/off button
BS12	Inspection/test operation button

BS14	Filter sign reset button
H1P	Light emitting diode (service monitor red)
LCD	Liquid crystal display
SS1	Selector switch (main/sub)

Adapter for wiring	
RyC/RyF	Magnetic relay
Connector for optional parts	
X60A	Connector (interface adapter for SKY AR /
X61A	US series)
X33A	Connector (adapter for wiring)
X35A	Connector (group control adapter)
X40A	Connector (Remote ON/OFF, forced OFF)

# FDQ125C

## Indoor unit

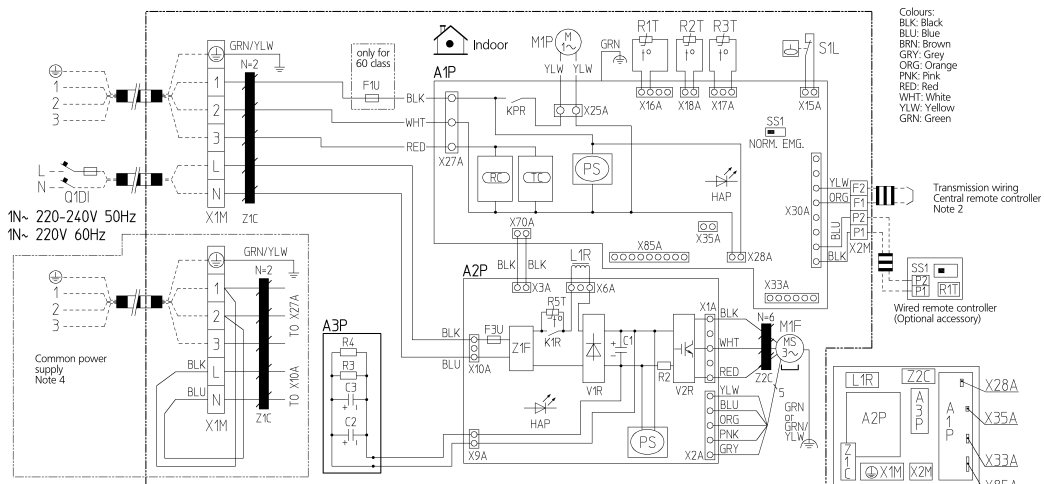
A1P	: Printed circuit board
A2P	: Printed circuit board (Fan)
A3P	: Printed circuit board (Capacitor)
C1,C2,C3	: Capacitor
F1U	: Fuse (T, 5A, 250V)
F3U	: Fuse (T, 6.3A, 250V)
HAP	: Light emitting diode (Service monitor-green)
KPRK1R	: Magnetic relay
L1R	: Reactor
M1F	: Motor (Fan)
M1P	: Motor (Drain pump)
PS	: Switching power supply
Q1DI	: Earth leak detector
R2	: Current sensing device
R3,R4	: Resistor (Electric discharge)
R1T	: Thermistor (Suction air)
R2T	: Thermistor (Liquid)
R3T	: Thermistor (Coil)
R5T	: Thermistor NTC (current limiting)
SS1	: Selector switch (emergency)
S1L	: Float switch
V1R	: Diode bridge
V2R	: Power module
X1M	: Terminal strip (Power supply)
X2M	: Terminal strip (Control)
Z1C,Z2C	: Noise filter (Ferrite core)
Z1F	: Noise filter
Z1F	: Signal receiver circuit
Z1F	: Signal transmission circuit

## Connector optional accessory

X28A	: Connector (Power supply for wiring)
X33A	: Connector (For wiring)
X35A	: Connector (Adapter)
X85A	: Connector (For multi zoning)

## Wired remote controller

R1T	: Thermistor (air)
SS1	: Selector switch (main/sub)



Colours:

BLK:	Black
BLU:	Blue
BRN:	Brown
GRY:	Grey
ORG:	Orange
PNK:	Pink
RED:	Red
WHT:	White
YLW:	Yellow
GRN:	Green

Transmission wiring  
Central remote controller  
Note 2

Wired remote controller  
(Optional accessory)

Switch box (Indoor)

1N~ 220-240V 50Hz  
1N~ 220V 60Hz

Common power supply  
Note 4

1. Use copper conductors only.
2. When using the central remote controller, see manual for connection to the unit.
3. The remote controller model varies according to the combination system, see technical materials and catalogues, etc. before connecting.
4. Refer to installation manual

Field wiring

L	: Live
N	: Neutral
⊕	: Connector
⊕	: Wire clamp
⊕	: Protective earth (screw)