

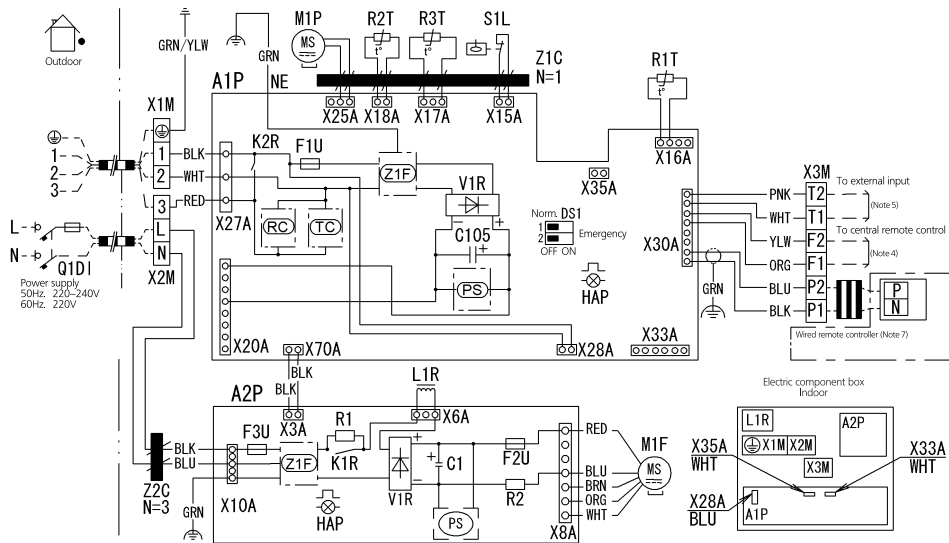
FBQ-D

Indoor unit

A1P	: Printed circuit board
A2P	: Printed circuit board (Fan)
C1	: Capacitor
C105	: Capacitor
DS1	: Selector switch
F1U	: Fuse (T, 3.15A, 250V)
F2U	: Fuse (T, 5A, 250V)
F3U	: Fuse (T, 6.3A, 250V)
HAP	: Indication lamps
K1R	: Magnetic relay
K2R	: Magnetic relay
L1	: Reactor
M1F	: Motor (Indoor fan)
M1P	: Motor (Drain pump)
R1	: Resistor (current sensor)
R2	: Resistor (current sensor)
R1T	: Thermistor (Suction)
R2T	: Thermistor (Liquid)
R3T	: Thermistor (Coil)
S1L	: Float switch
V1R	: Diode bridge
PS	: Switching power supply
RC	: Signal receiver circuit
TC	: Signal transmission circuit
X1M	: Terminal strip (Power supply)
X2M	: Terminal strip (Power supply)
X3M	: Terminal block (Control)
Z1F	: Noise filter
Z1C	: Ferrite core
Z2C	: Ferrite core
Q1D	: Earth leakage breaker

Connector (Optional accessories)

X28A	: Connector (Power supply for wiring)
X33A	: Connector (for wiring)
X35A	: Connector (Power supply for adapter)



Notes

1. : Screw terminal : Connector, : Field wiring
2. In case of a multi-indoor-unit-system with parallel operation, refer to the documentation for the indoor units.
3. For details, refer to the wiring diagram attached to the outdoor unit.
4. When using a central remote control, connect it to the unit according to the installation manual.
5. When connecting the input wires from outside, forced OFF or ON/OFF control operation can be selected by the remote controller. For more information, see installation manual
6. For a multi-indoor-unit-system with parallel operation, the connection ratio (number of indoor units you can connect to the outdoor unit) is different. Before connecting, refer to the Technical data of the General catalogue.
7. For how to switch between the main unit and the sub units, refer to the installation manual of the remote control.
8. Colours: BLK:Black; RED:Red; BLU:Blue; WHT:White; GRN:Green; YLW:Yellow; BRN:Brown; ORG:Orange; PNK:Pink