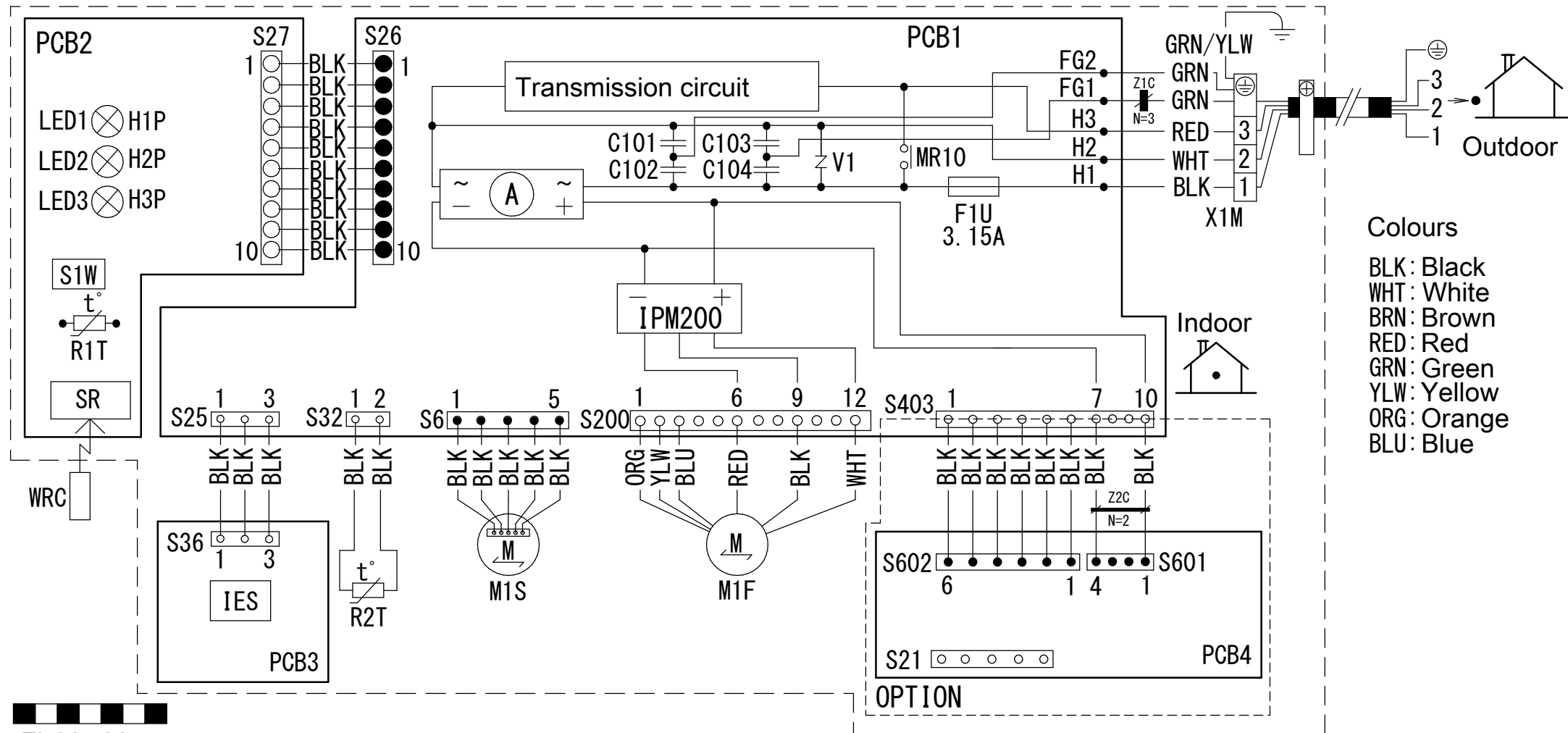


Wiring diagram



- Colours**
- BLK : Black
 - WHT : White
 - BRN : Brown
 - RED : Red
 - GRN : Green
 - YLW : Yellow
 - ORG : Orange
 - BLU : Blue

Field wiring

- (A) : Rectifier
- (⊕) : Protective earth
- WRC : Wireless remote control
- PCB1-PCB4 : Printed circuit board
- IPM200 : Intelligent power module
- S6-S602 : Connector
- S1W : Operation switch
- FG1, FG2 : Frame ground
- F1U : Fuse
- H1-H3 : Harness
- H1P-H3P : Pilot lamp
- M1F : Fan motor
- M1S : Swing motor

- X1M : Terminal strip
- MR10 : Magnetic relay
- V1 : Varistor
- R1T, R2T : Thermistor
- C101-C104 : Capacitor
- SR : Signal receiver
- IES : Intelligent Eye sensor
- Z1C, Z2C : Ferrite core

Notes : The connection of PCB4 is optional.

Caution

When the main power is turned off and then back on again, operation will resume automatically.

3D093446-1

Notes
1. Size: length 100 X width 120.