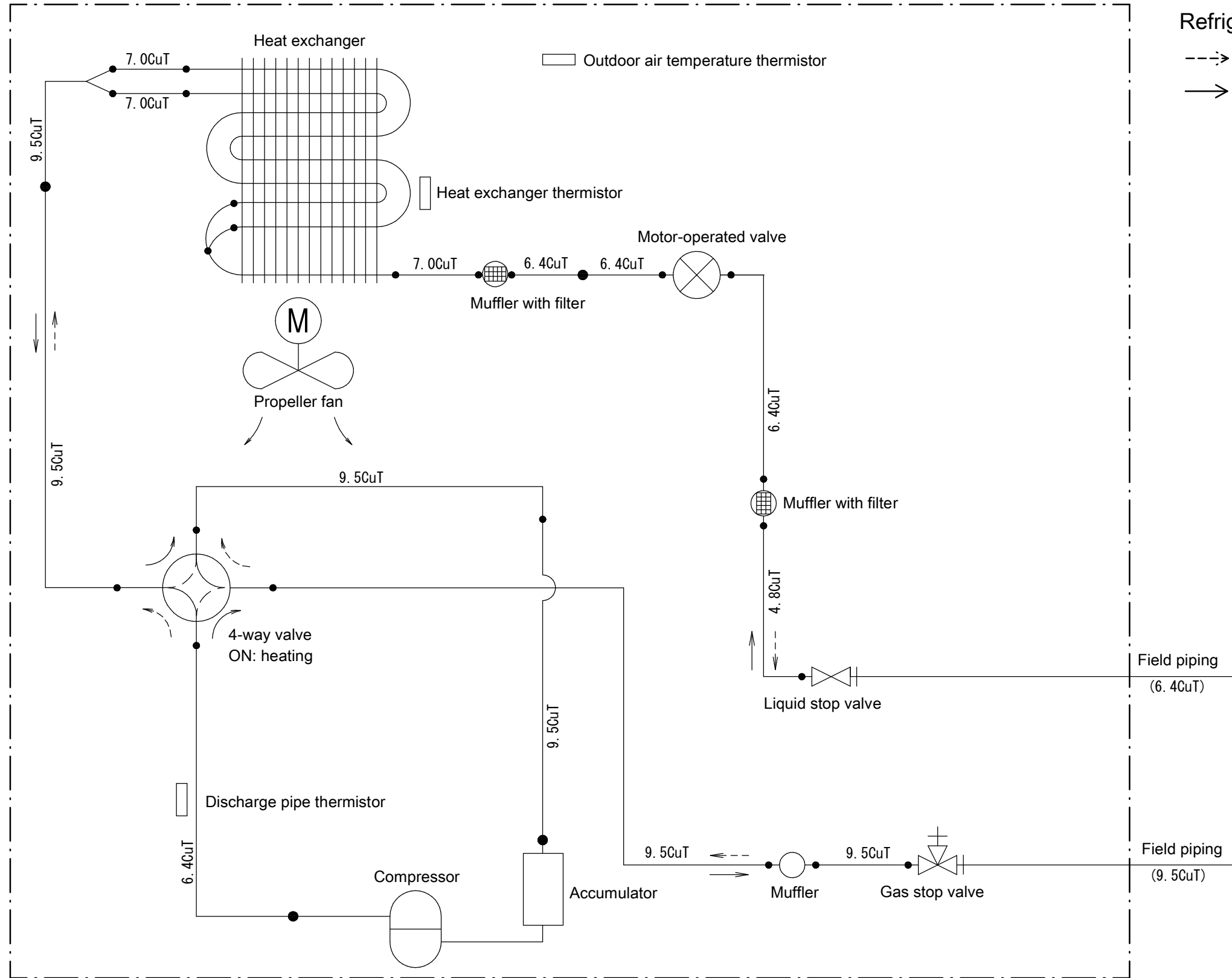


# Outdoor unit

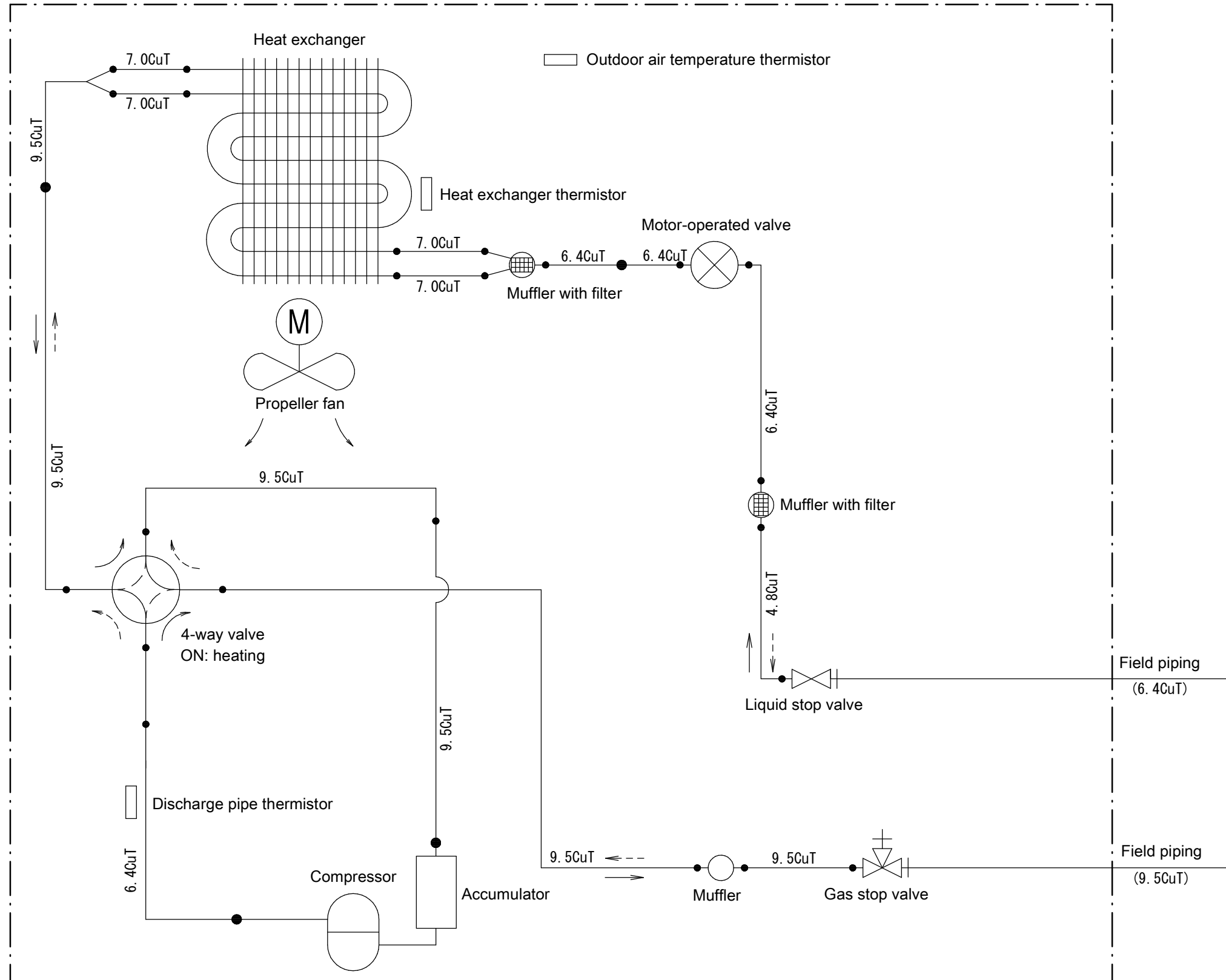


Refrigerant flow

--> COOLING

→ HEATING

# Outdoor unit



Refrigerant flow

---> Cooling

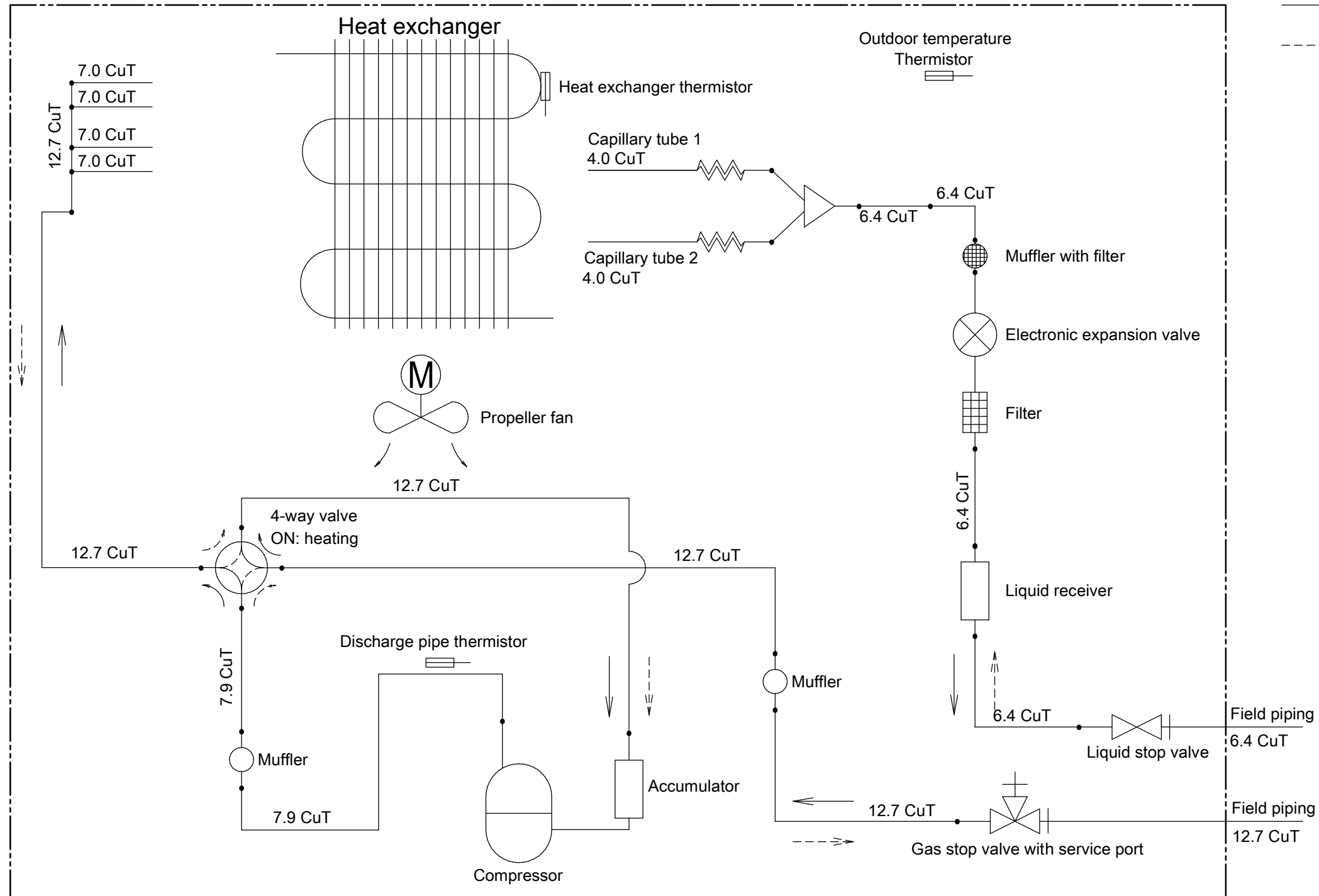
—> Heating

Outdoor unit

Refrigerant flow

—> Cooling

- - -> Heating



Outdoor unit

Refrigerant flow  
—> Cooling  
- - -> Heating

