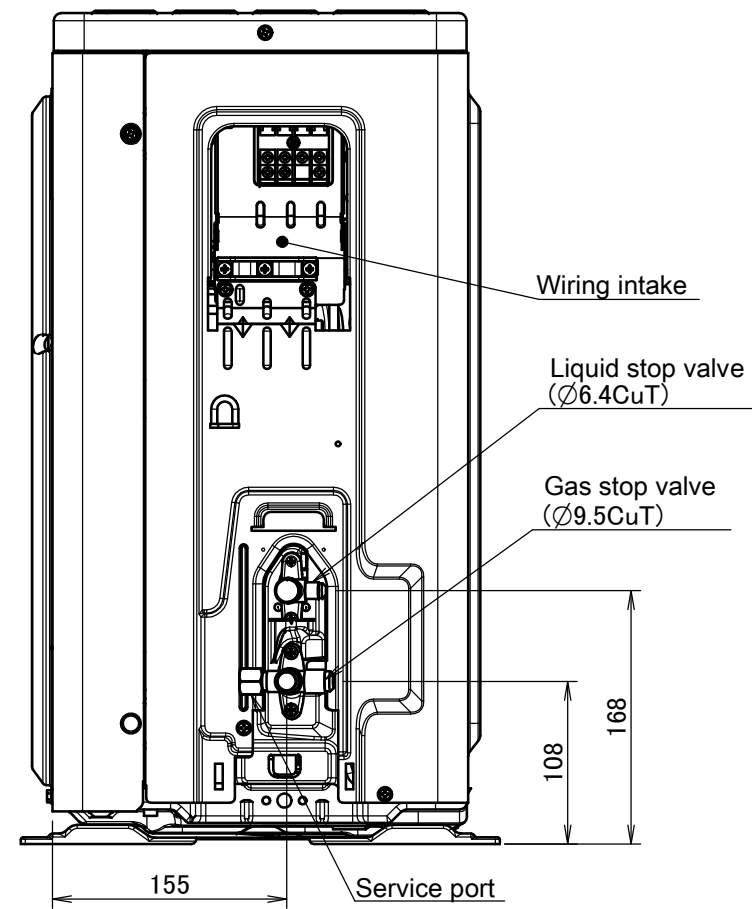
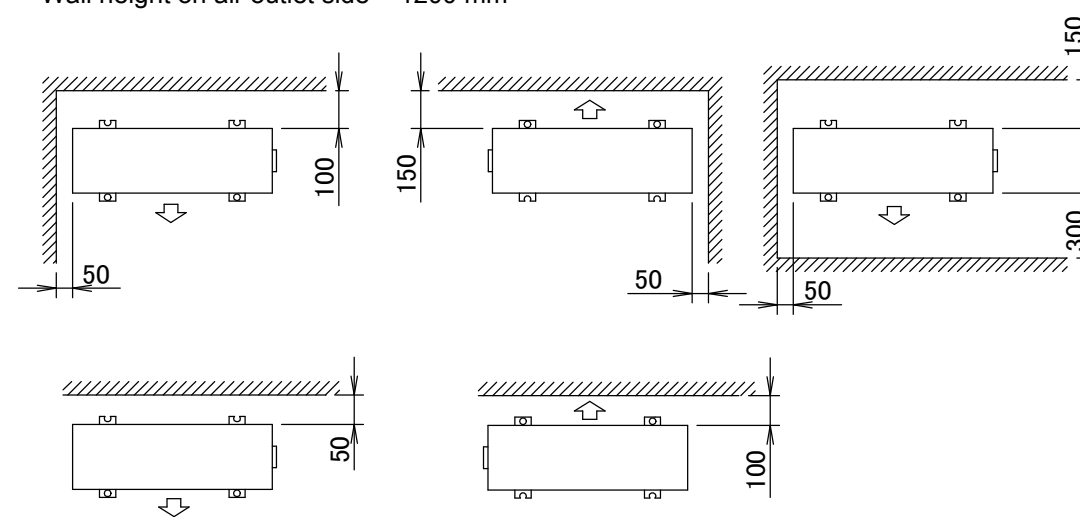


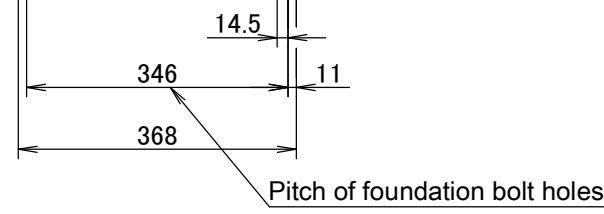
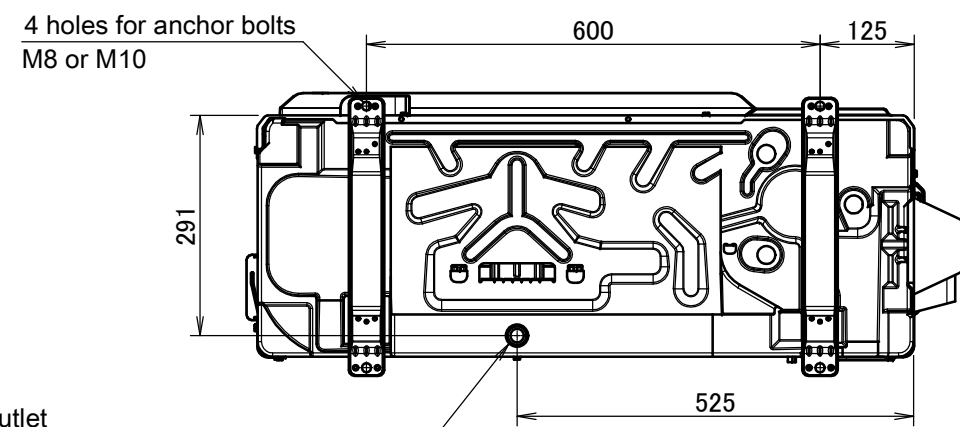
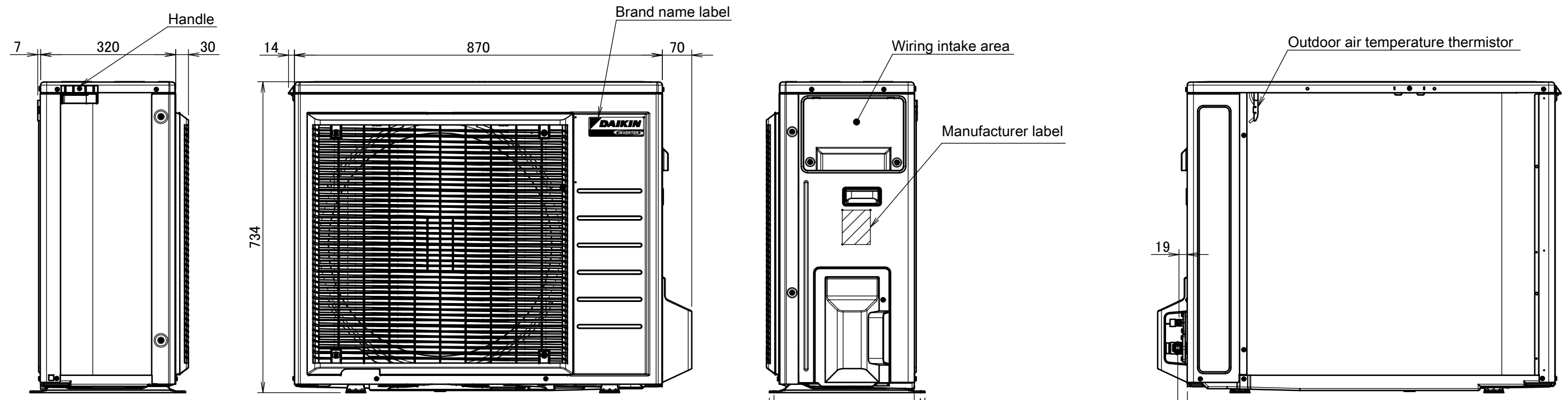
In case of removing the stop valve cover.



Minimum space for air passage

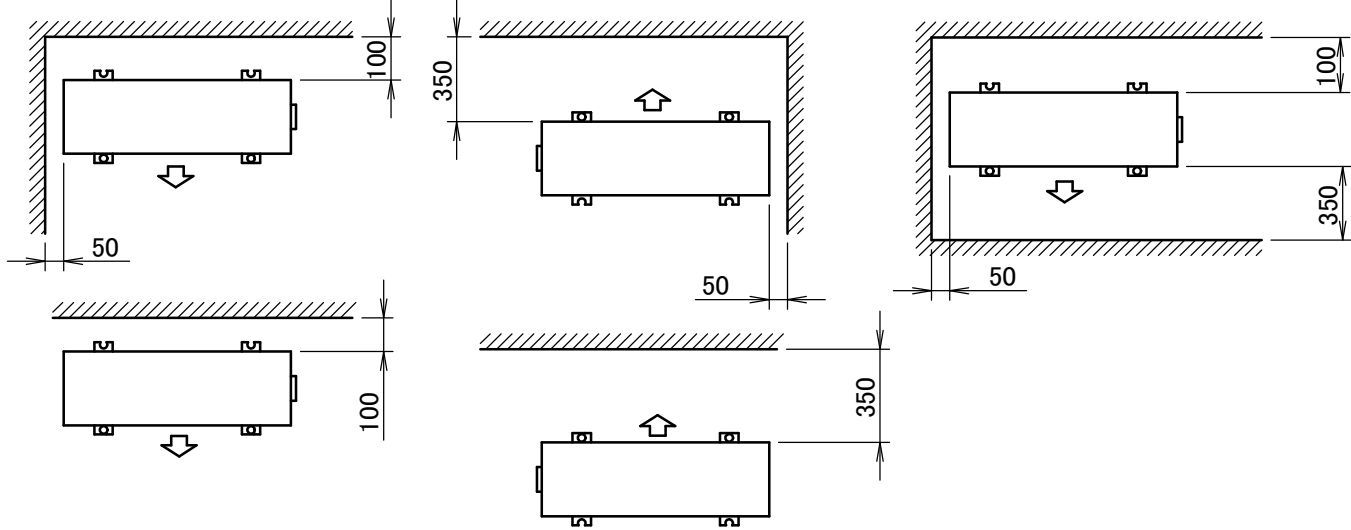
Wall height on air outlet side < 1200 mm





Drain outlet
Connection hose (inside diameter: 15.9mm)

Minimum space for air passage
Wall height on air outlet side < 1200 mm



In case of removing the stop valve cover.

