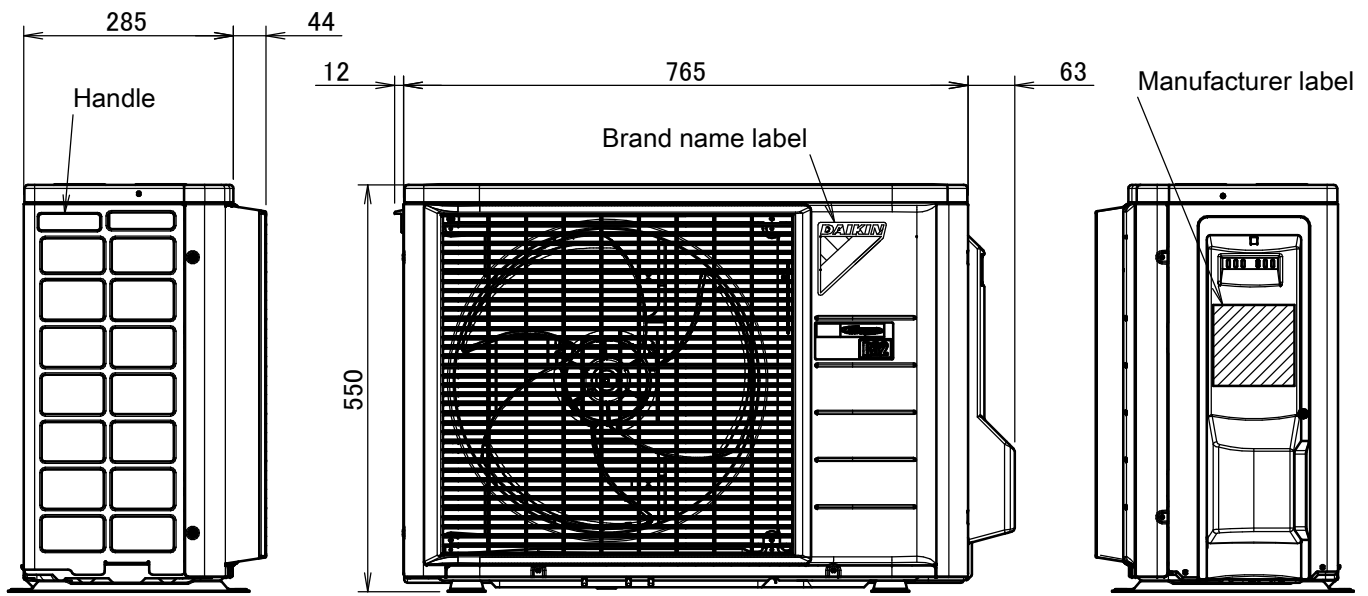
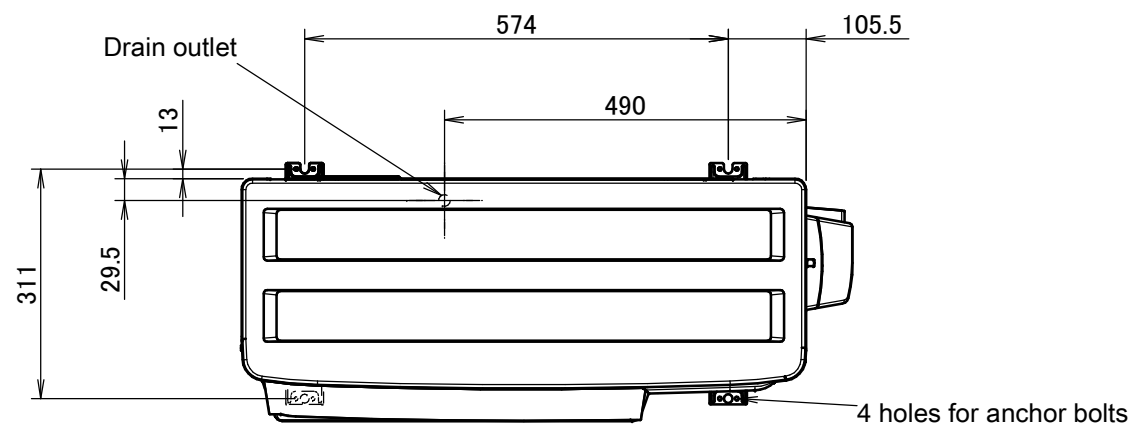
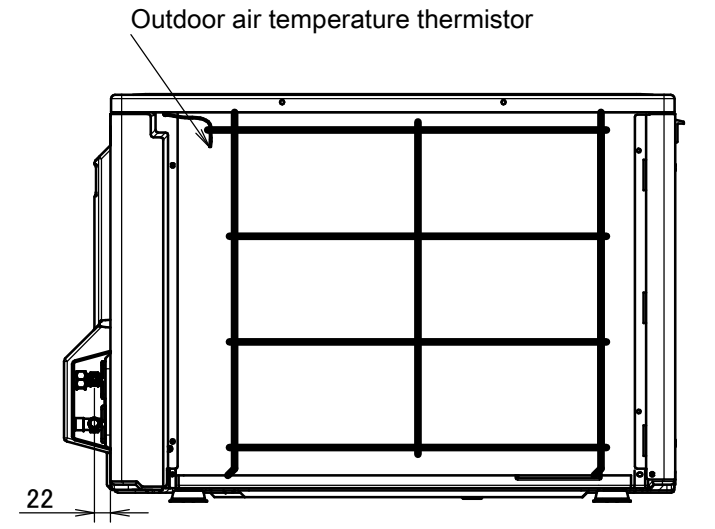
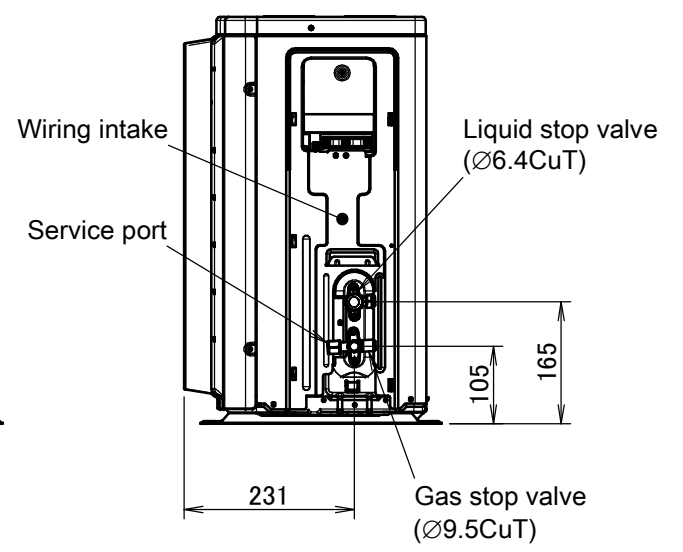


RXJ20-35M

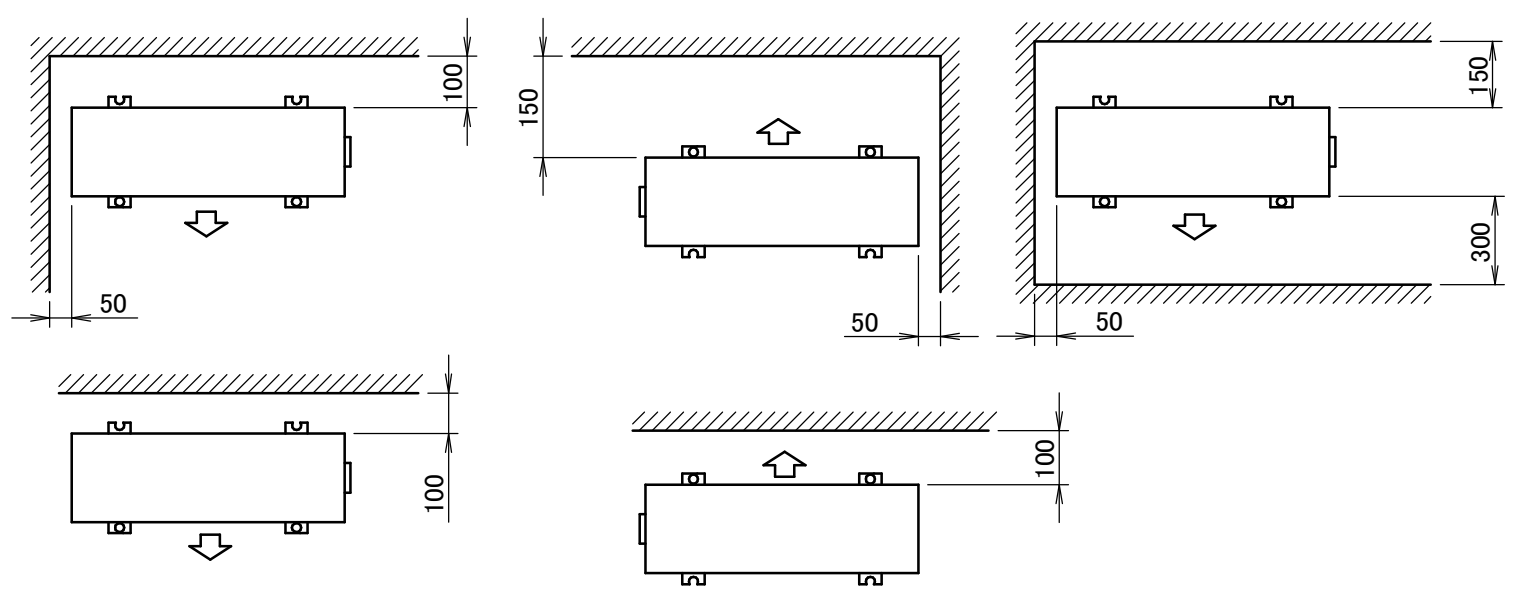


In case of removing the stop valve cover.

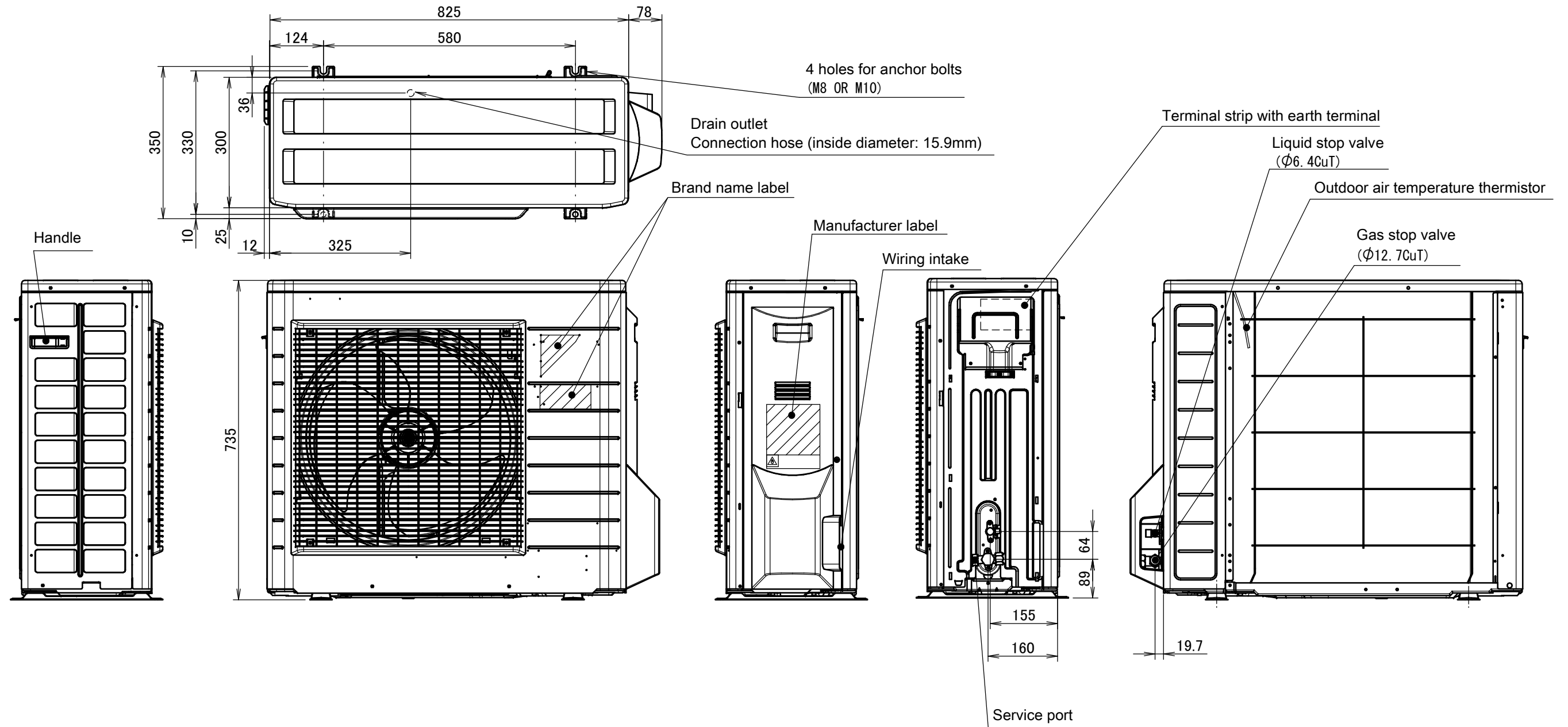


Minimum space for air passage

Wall height on air outlet side < 1200 mm

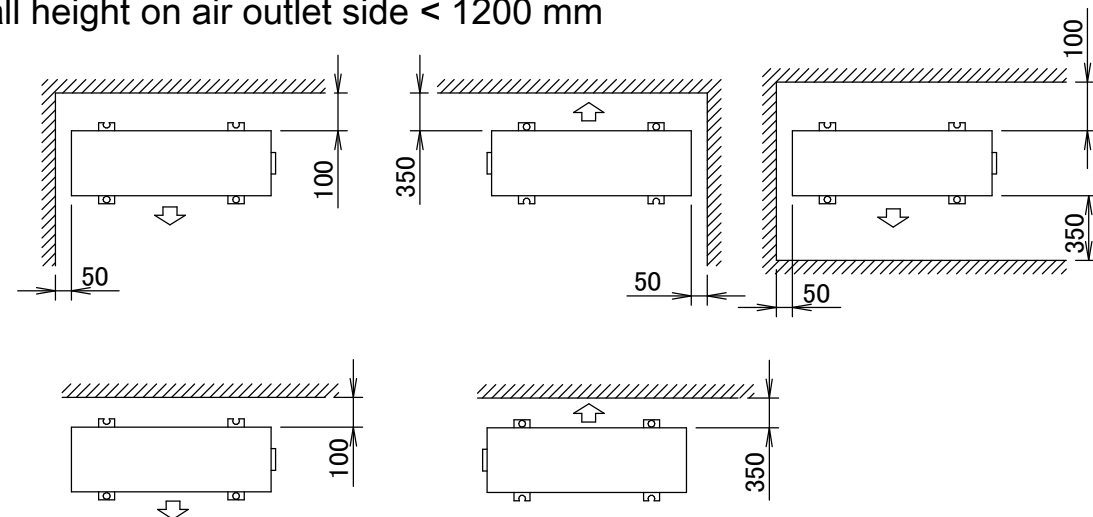


RXJ50M



Minimum space for air passage

Wall height on air outlet side < 1200 mm



In case of removing the stop valve cover.