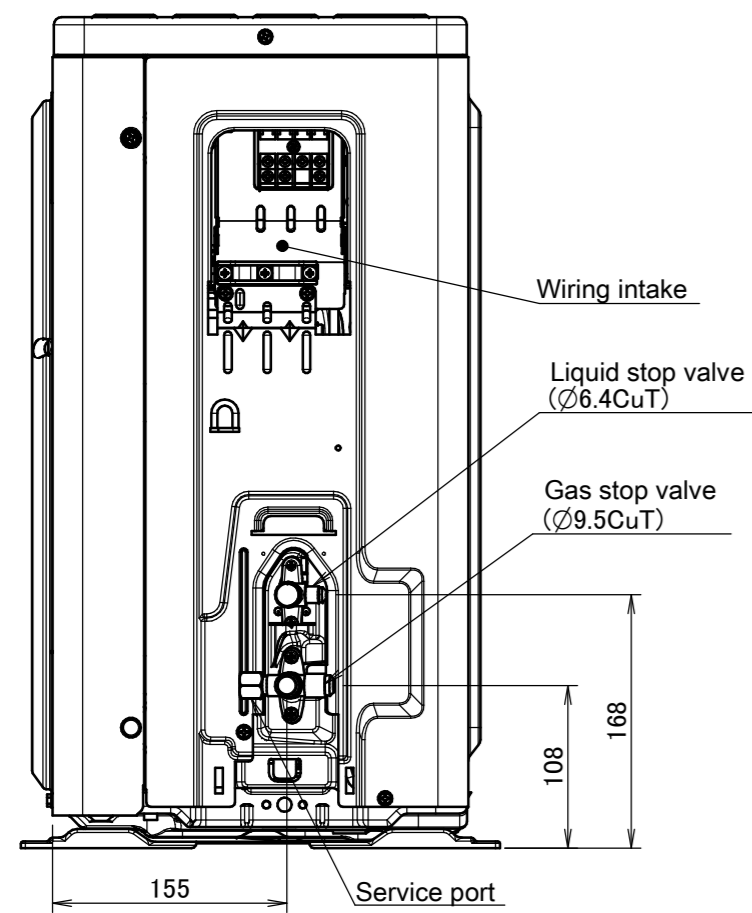
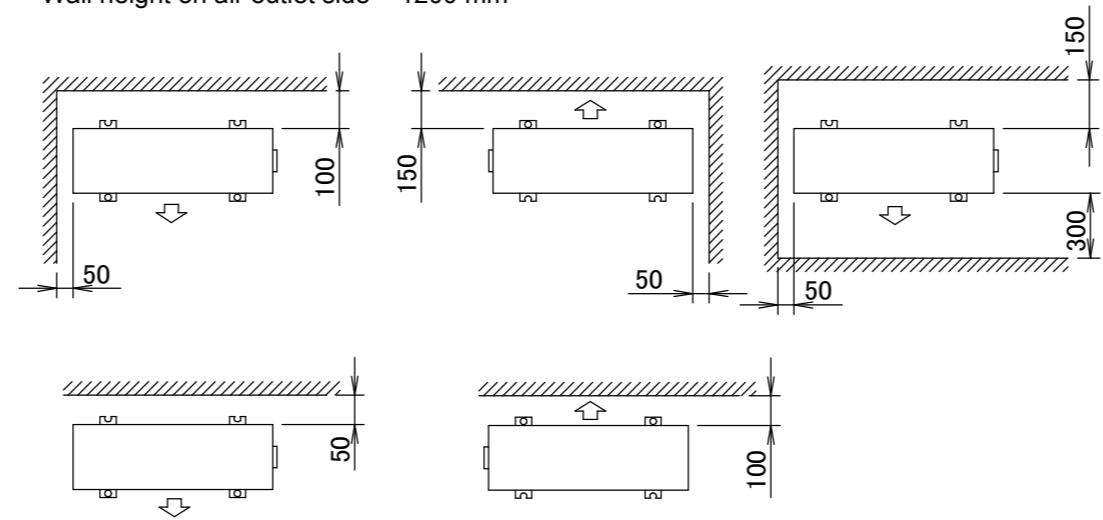


In case of removing the stop valve cover.



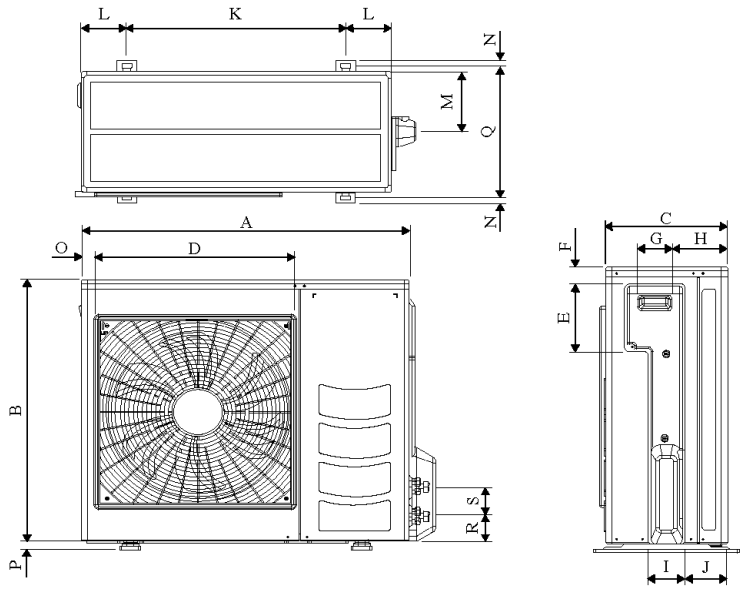
Minimum space for air passage

Wall height on air outlet side < 1200 mm



RXB50-60C

All dimensions are in mm



Model	Dimension	A	B	C	D	E	F	G	H	I	J	K	L	M	N	O	P	Q	R	S
RXB50-60C		855	730	328	520	179	46	93	149	101	113	603	126	164	15	34	23	362	73	75