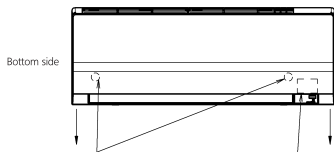
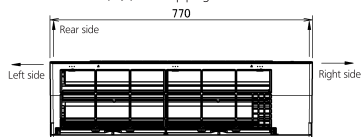


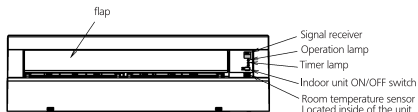
FTX20-35KV

The mark (→) shows piping direction.



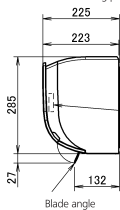
Front grille fixed screws
Located inside of the unit

Nameplate
Located inside of the unit



Signal receiver
Operation lamp
Timer lamp
Indoor unit ON/OFF switch
Room temperature sensor
Located inside of the unit

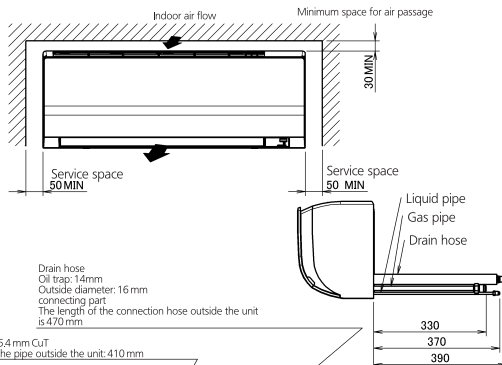
Include mounting plate



Terminal block with earth terminal
Located inside of the unit

Blade angle

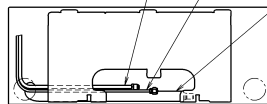
Required space for service and ventilation



Drain hose
Oil trap: 14mm
Outside diameter: 16 mm
connecting part
The length of the connection hose outside the unit is 470 mm

Liquid pipe ϕ 6.4 mm CuT
The length of the pipe outside the unit: 410 mm

Gas pipe ϕ 9.5 mm CuT
The length of the pipe outside the unit: 360 mm



Blade angle
Up/down (automatic)

Cooling
Dry



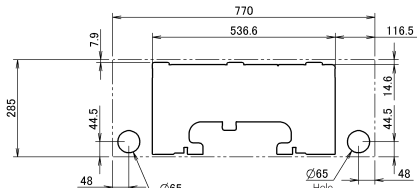
Heating



Fan

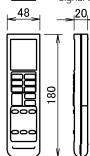


Left/right (manual)



Hole for embedded piping
Standard location of holes in the wall

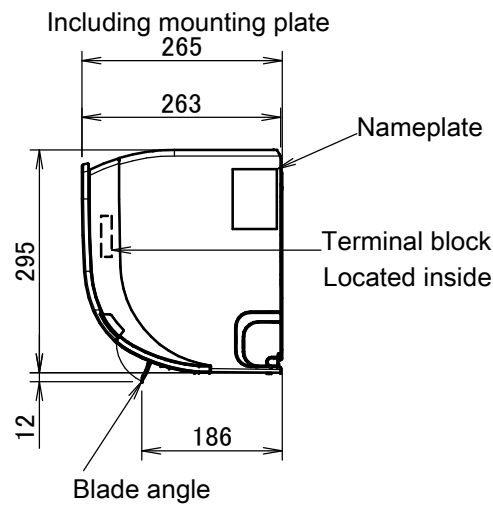
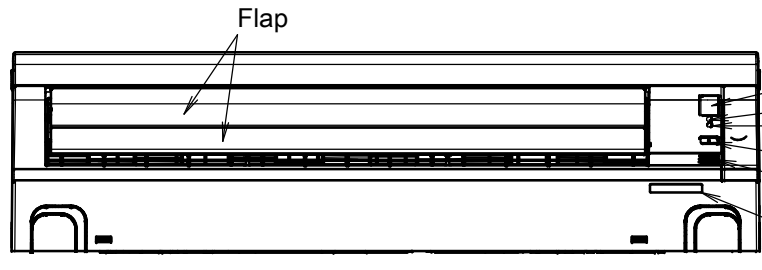
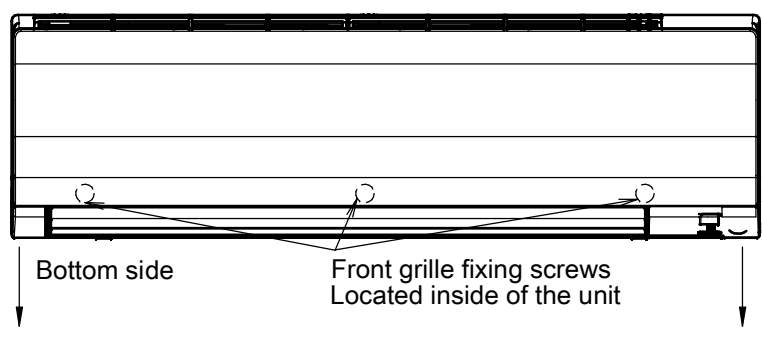
Signal transmitter



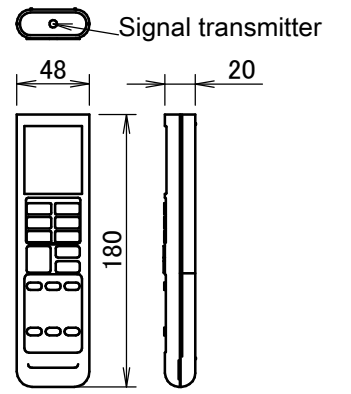
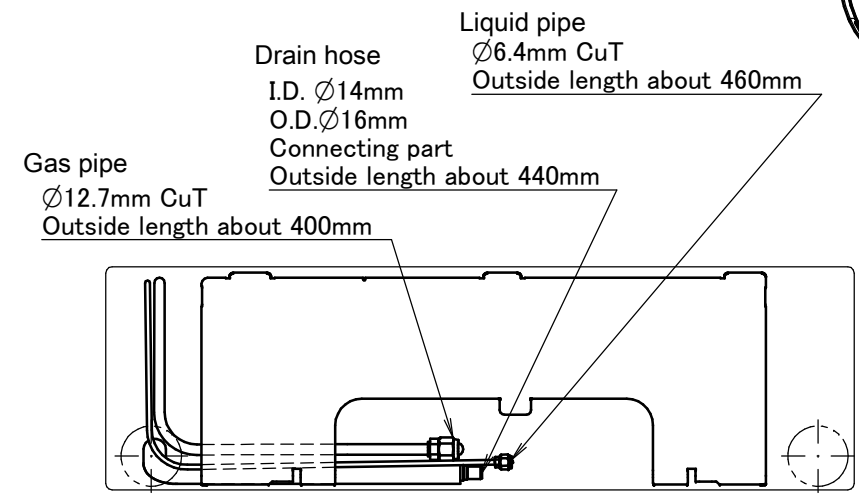
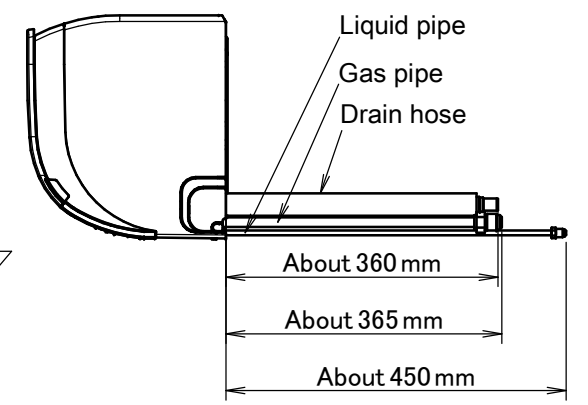
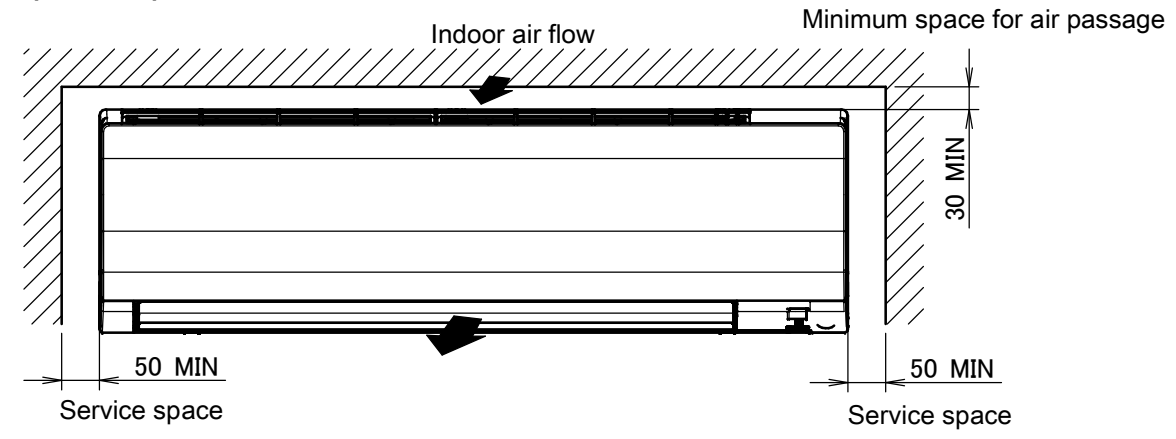
Infrared remote controller
(ARC480A11)

FTX50-71KV

The → mark shows the piping direction.

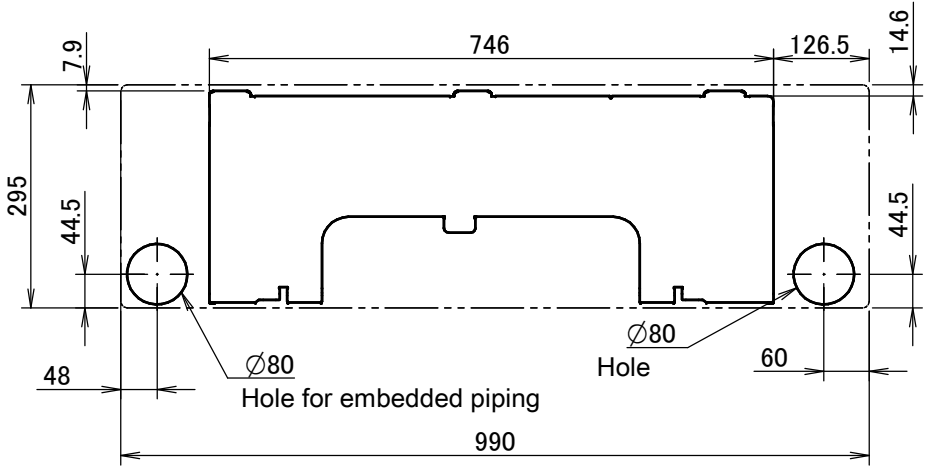
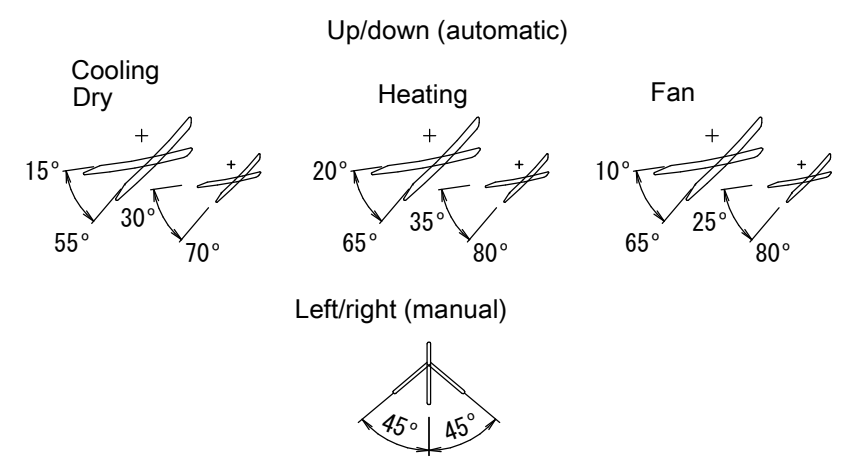


Required space for service and ventilation



Wireless remote control (ARC480A11)

Blade angle



Standard location of holes in the wall