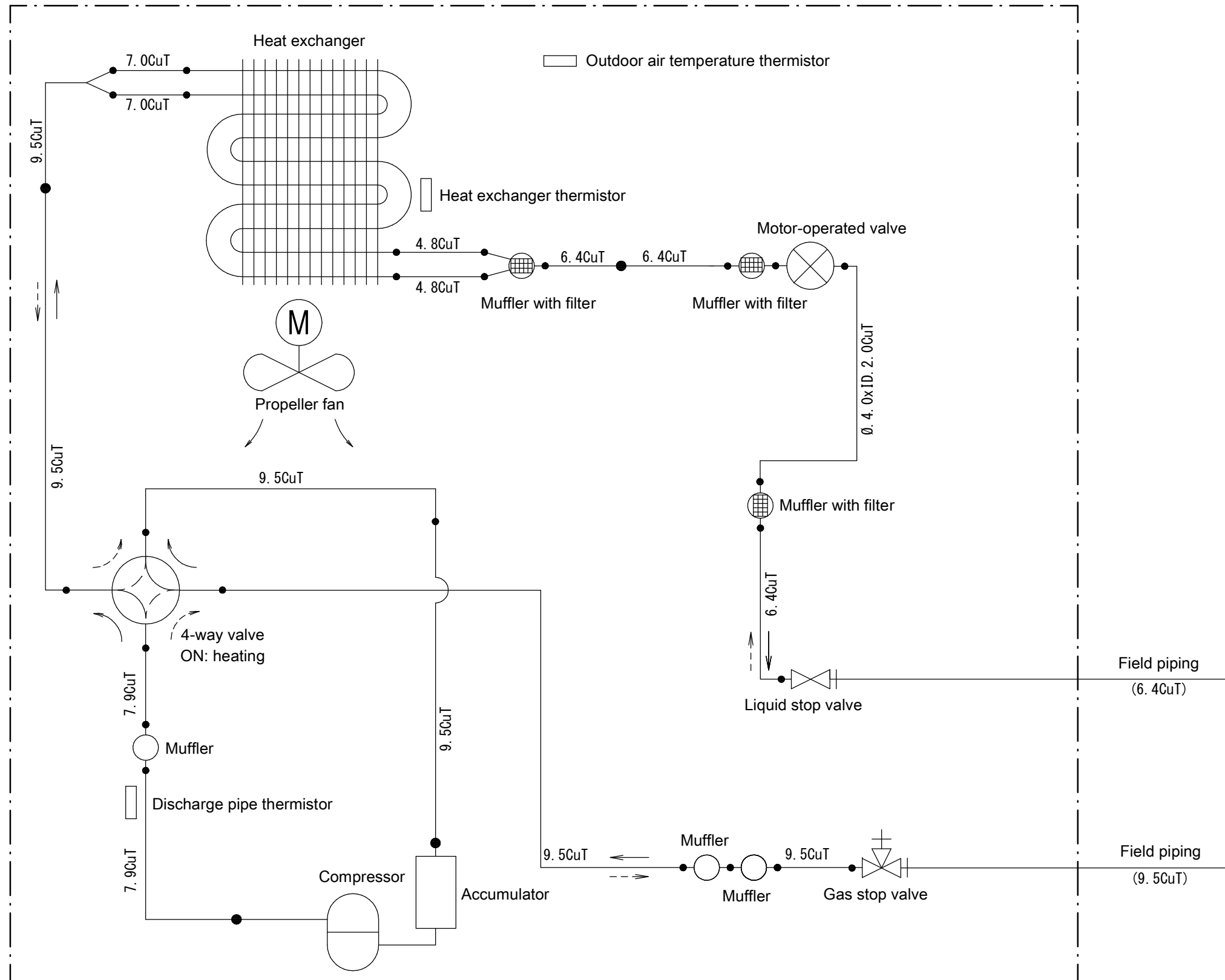
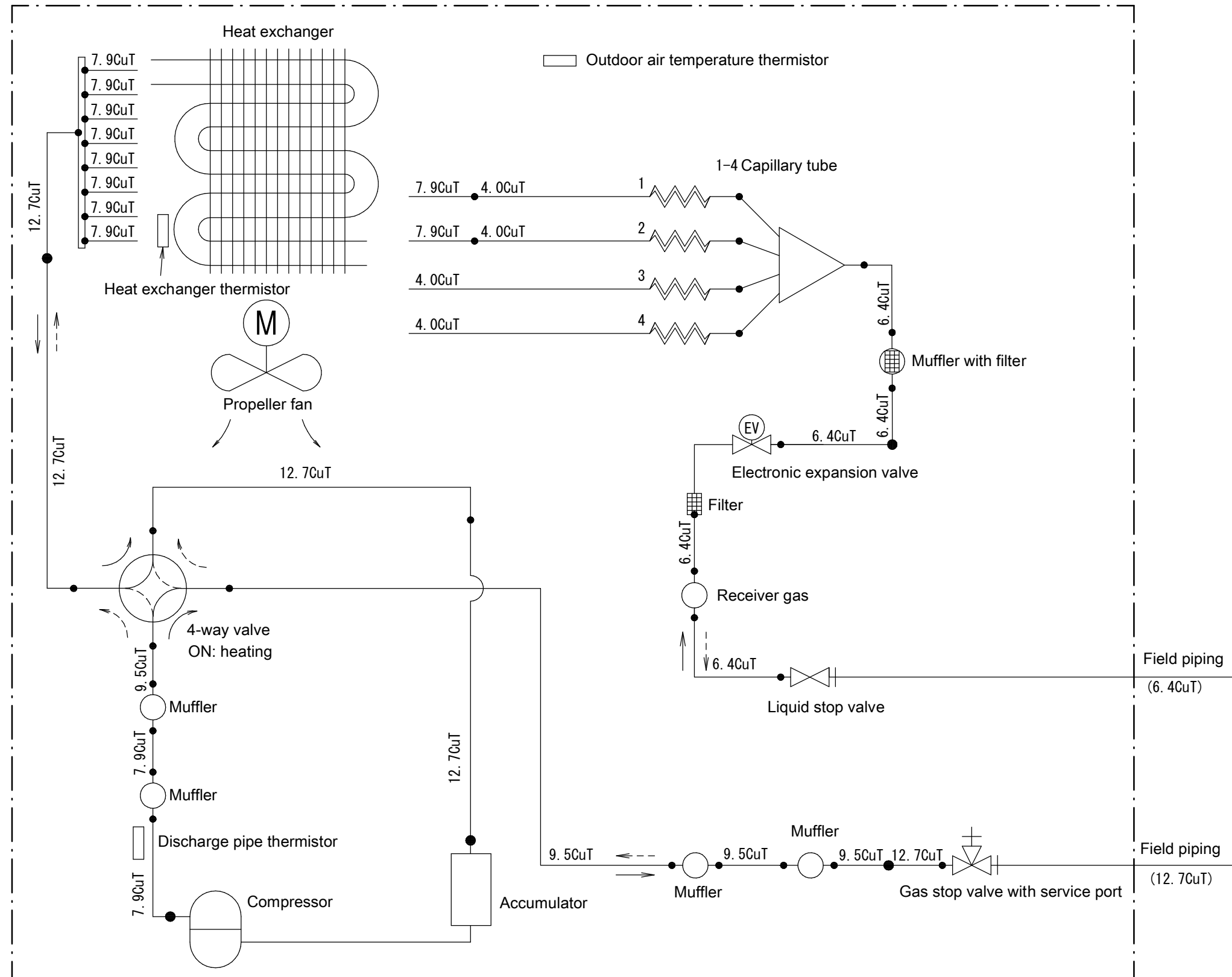


Outdoor unit



Outdoor unit



Refrigerant flow

---> Cooling

—> Heating