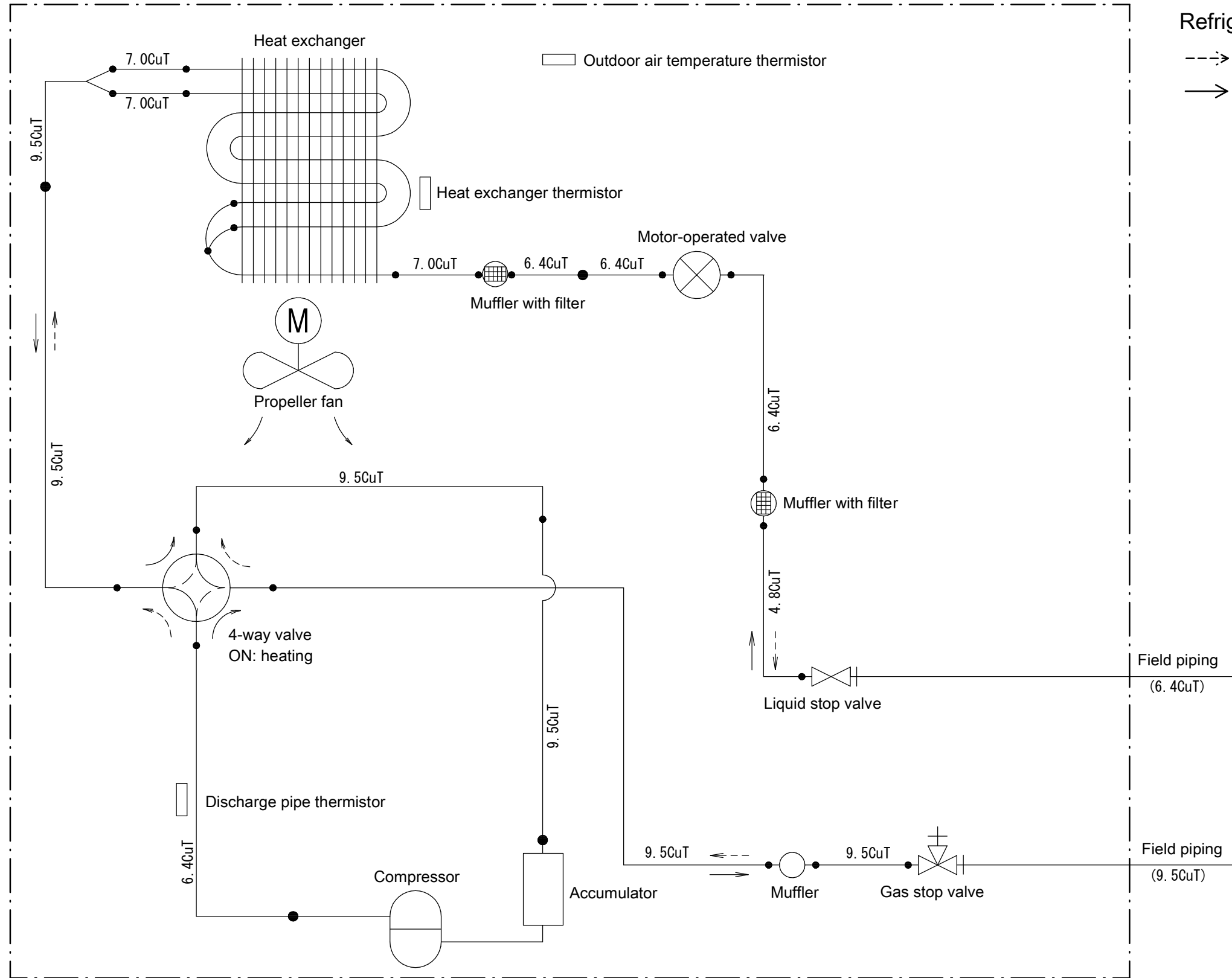


Outdoor unit



Refrigerant flow

--> COOLING

→ HEATING

RXB50-60C

