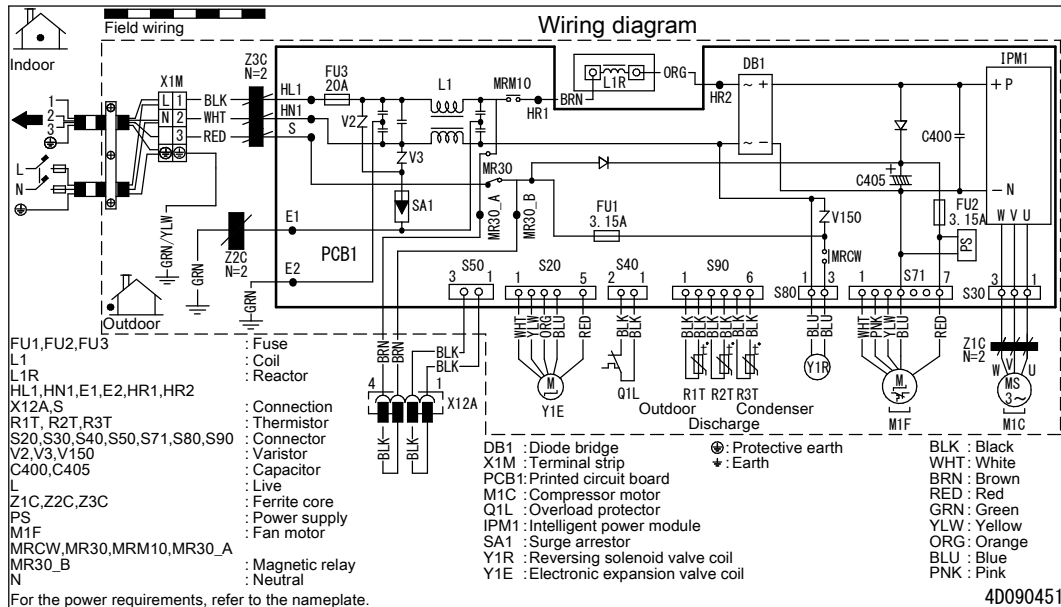


RXS20-35L3



Notes

1. Size: length 80 X width 140.
2. Refer to purchasing specification AS303002, unless otherwise specified.

4D090151