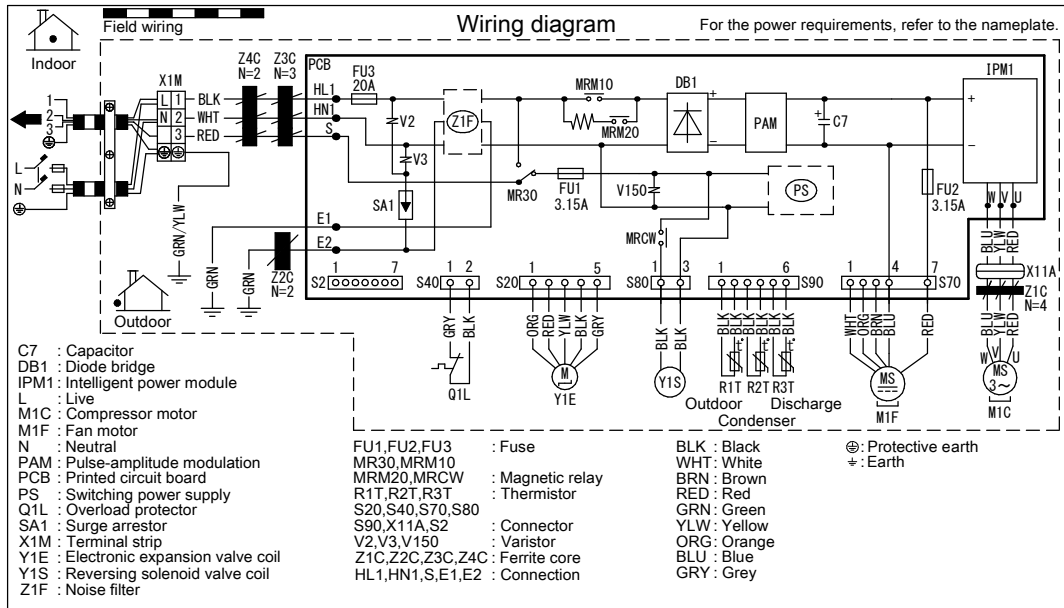


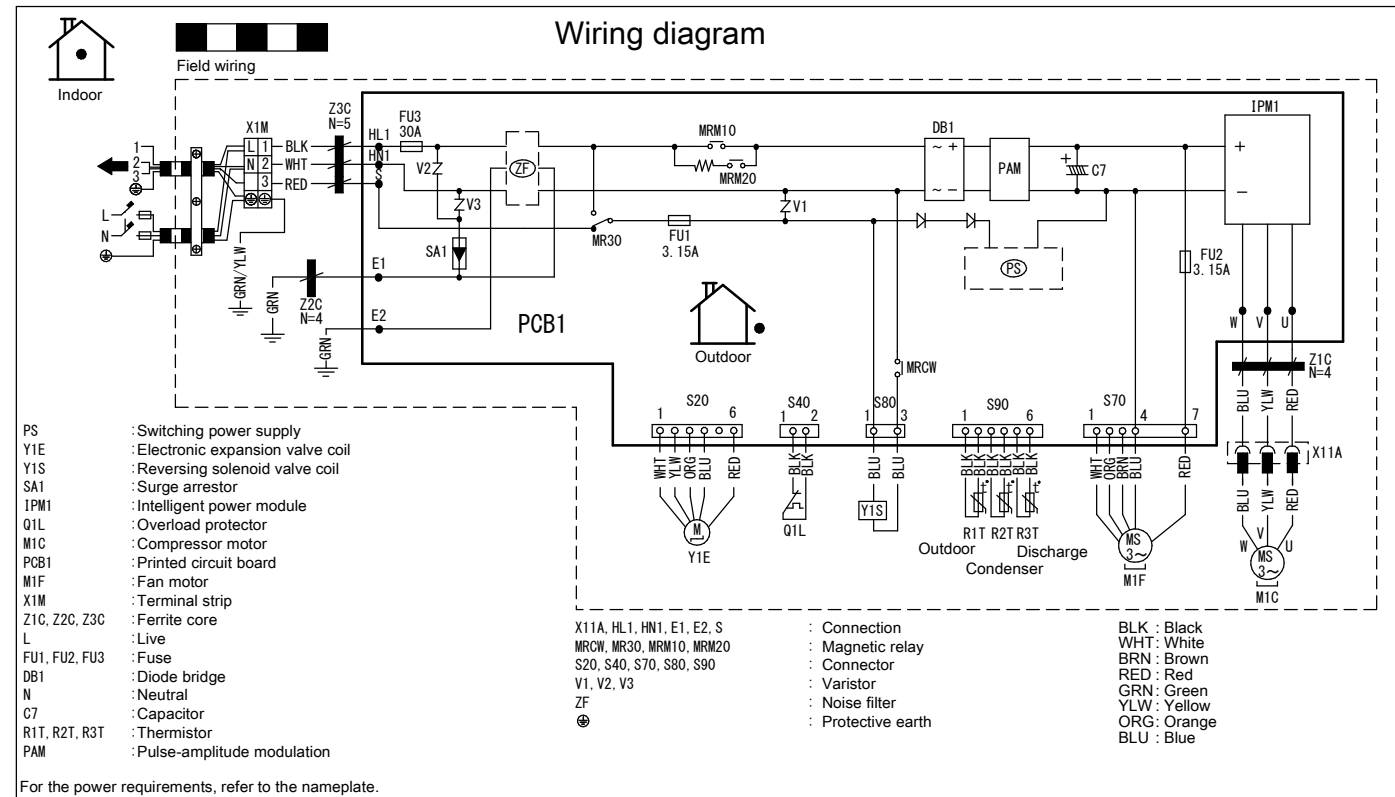
RXJ20-35M



Notes

Size: 140 x 80

Refer to purchasing specification AS303002, unless otherwise specified.



Notes

1. Size: length 105 X width 185.
2. Refer to purchasing specification AS303002, unless otherwise specified.