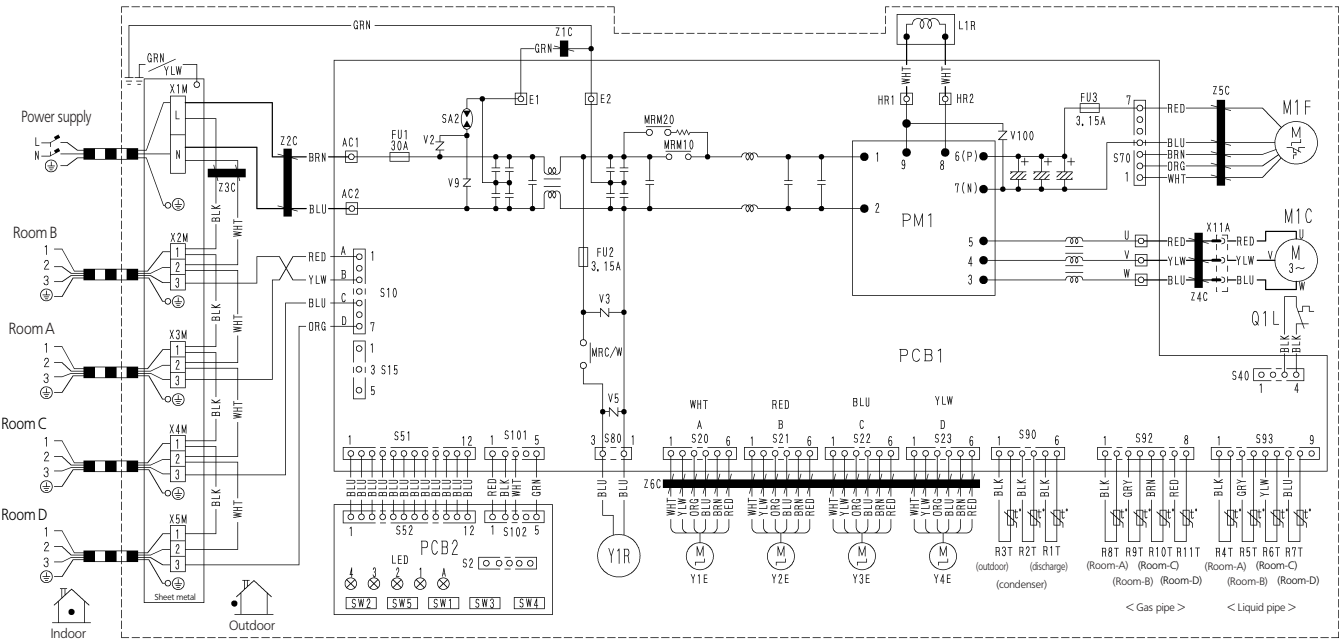


4MXS68F2V1B



- Z1C-Z6C : Ferrite core
- X1M-X5M : Terminal strip
- Y1E-Y4E : Electronic expansion valve coil
- V2,V3,V5 : Varistor
- V5,V100 : Surge arrester
- SA2 : Surge arrester
- FU1, FU2, FU3 : Fuse
- AC1, AC2 : Connector
- UV,W,X11A : Connector
- E1,E2 : Connector
- HR1,HR2 : Connector
- MRM10, MRM20 : Magnetic relay
- MRC/W : Magnetic relay

- R1T-R11T : Thermistor
- S2-S102 : Connector
- LED1-LED4 : LED
- LEDA : Pilot lamp
- L : Live
- N : Neutral
- SW1 : Forced operation on/off SW (SW1)
- SW2 : Operation mode select SW (SW2)
- SW3 : Wiring error check SW (SW3)
- SW4 : Priority room setting SW (SW4)
- SW5 : Night quiet mode setting SW (SW5)

- M1C : Compressor motors
- M1F : Fan motor
- L1R : Reactor
- Q1L : Overload protector
- PM : Power module
- PCB1,2 : Printed circuit board
- Y1R : Reversing solenoid valve coil
- Sheet metal : Terminal strip fixed plate

< Gas pipe > < Liquid pipe >