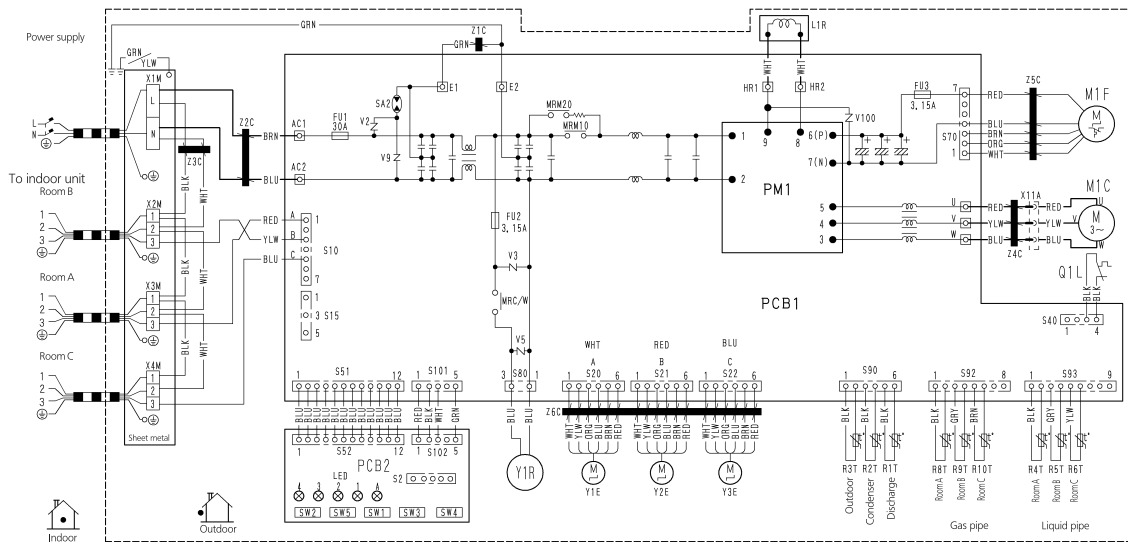


3MXS68G



Indoor



Outdoor



Field wiring

Notes:

1. Refer to purchasing specification AS303002, unless otherwise specified.
2. This drawing was drawn on CAD system.

Z1C~Z6C : Ferrite core
 X1M~X5M : Terminal strip
 Y1E~Y4E : Electronic expansion valve coil
 V2,V3,V5,V9,V100 : Varistor
 SA2 : Surge arrester
 FU1,FU2,FU3 : Fuse
 AC1,AC2 : U,V,W,X11A
 E1,E2 : Connector
 HR1,HR2 : Connector

MRM10, MRM20, : Magnetic relay
 MRC/W : Thermistor
 R1T~R11T : Connector
 S2~S102 : LED1~LED4
 LEDA : Pilot lamp
 L : Live
 N : Neutral
 SW1 : Forced operation on/off switch (SW1)
 SW2 : Select switch (SW2)

SW3 : Wiring error check SW (SW3)
 SW4 : Priority room setting SW (SW4)
 SW5 : Night quiet mode setting SW (SW5)
 M1C : Compressor motor
 M1F : Fan motor
 L1R : Reactor
 Q1L : Overload protector
 PM1 : Power module
 PCB1,2 : Printed circuit board
 Y1R : Reversing solenoid valve coil
 Sheet metal : Terminal strip fixed plate