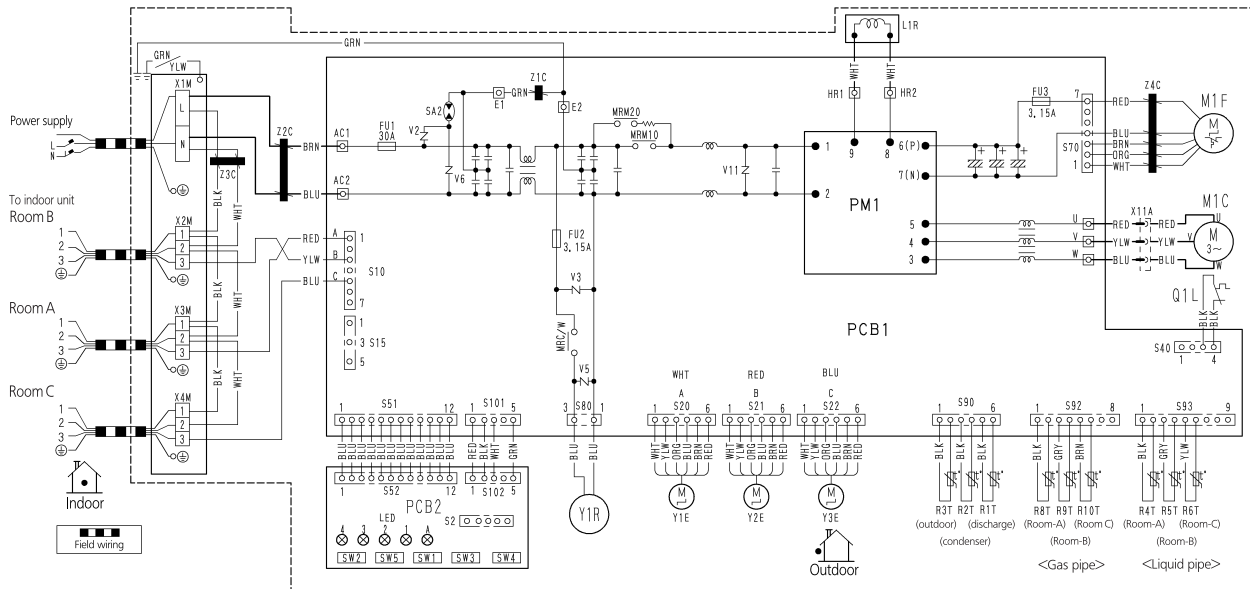


3MXS40K



Z1C~Z4C : Ferrite core
 X1M~X4M : Terminal strip
 Y1E~Y3E : Electronic expansion valve coil
 V2,V3,V5,V6,V11 : Varistor
 SA2 : Surge arrester
 FU1,FU2,FU3 : Fuse
 AC1,AC2 : Connector
 U,V,W,X11A : Connector
 E1,E2 : Connector
 HR1,HR2 : Connector
 MRM10,MRM20 : Magnetic relay
 R1T~R6T : Thermistor
 R8T~R10T : Thermistor

S2~S102 : Connector
 LED1~LED4 : LED
 LEDA : Pilot lamp
 L : Live
 N : Neutral
 SW1 : Forced operation on/off SW (SW1)
 SW2 : Select SW (SW2)
 SW3 : Wiring error check SW (SW3)
 SW4 : Priority room setting SW (SW4)
 SW5 : Night quiet mode setting SW (SW5)
 M1C : Compressor motor
 M1F : Fan motor
 L1R : Reactor
 Q1L : Overload protector

PM1 : Power module
 PCB1,2 : Printed circuit board
 Y1R : Reversing solenoid valve coil
 Sheet metal : Terminal strip fixed plate

Notes:

1. Refer to purchasing specification AS303002, unless otherwise specified.
2. This drawing was drawn on CAD system.