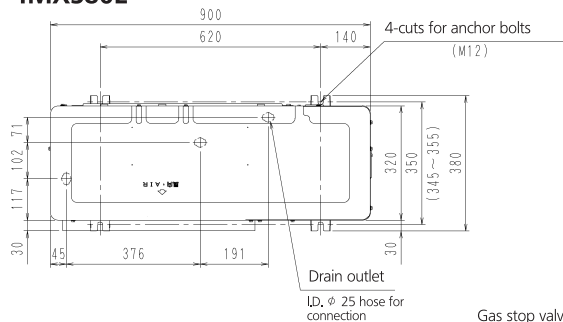


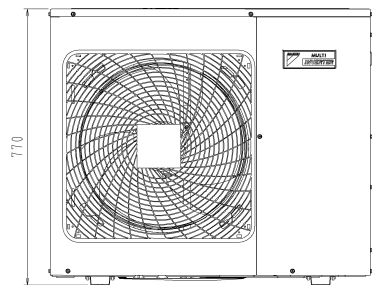
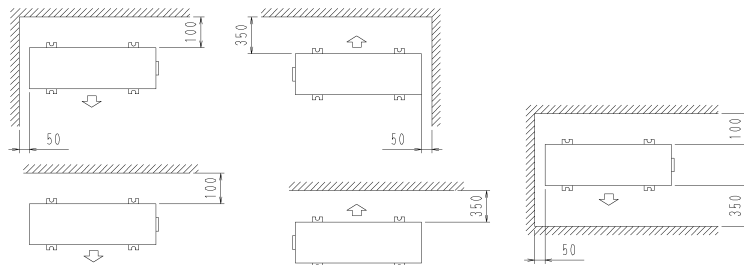
4MXS80E

unit (mm)



Minimum space for air passage

Wall height on air outlet side = less than 1200



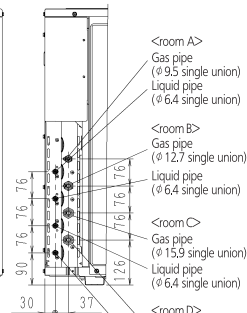
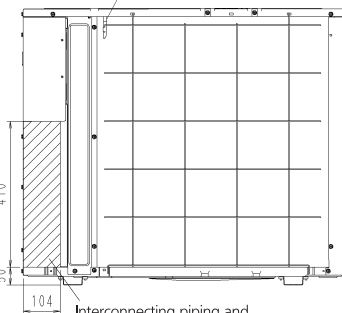
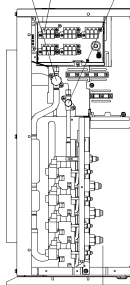
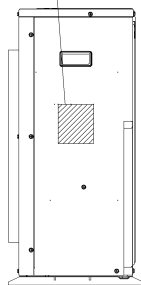
Name plate

Gas stop valve

5-Terminal strip with earth terminal

Liquid stop valve

Outdoor air thermistor



<room A>
Gas pipe
(ϕ 9.5 single union)
Liquid pipe
(ϕ 6.4 single union)

<room B>
Gas pipe
(ϕ 12.7 single union)
Liquid pipe
(ϕ 6.4 single union)

<room C>
Gas pipe
(ϕ 15.9 single union)
Liquid pipe
(ϕ 6.4 single union)

<room D>
Gas pipe
(ϕ 15.9 single union)
Liquid pipe
(ϕ 6.4 single union)

	A
ϕ 6.4	108
ϕ 9.5	91
ϕ 12.7	83
ϕ 15.9	78

Interconnecting piping and wiring inlet