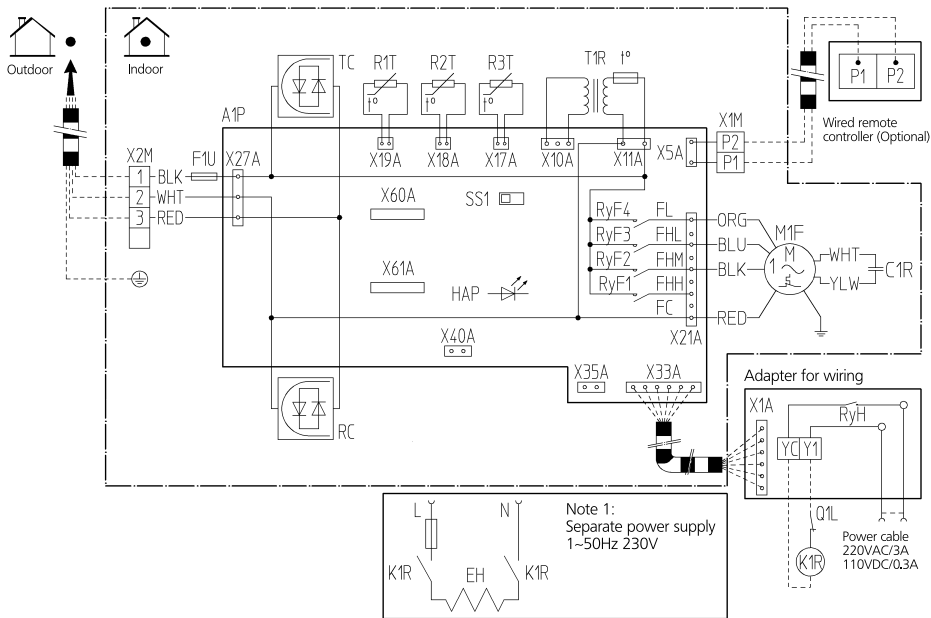


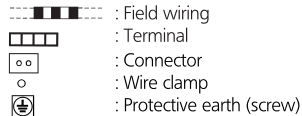
FDBQ25B

A1P	Printed circuit board
T1R	Power supply transformer (transformer 220-240V/21.8V)
C1R	Capacitor (fan)
F1U	Fuse (5A, 250V)
FIT	Thermal fuse (152°C) (M1F embedded)
HAP	Light emitting diode (service monitor green)
M1F	Motor (fan)
R1T	Thermistor (Air)
R2T	Thermistor (Liquid)
R3T	Thermistor (Coil)
RyF1-4	Magnetic relay (fan)
SS1	Selector switch (emergency)
X1M	Terminal strip
X2M	Terminal strip
RC	Signal receiver circuit
TC	Signal transmission circuit
Adapter for wiring	
RyH	Magnetic relay
Q1L	Thermal protector
Connector for optional parts	
X60A, X61A	Connector (interface adapter for SKY AIR / US series)
X33A	Connector (adapter for wiring)
X35A	Connector (group control adapter)
X40A	Connector (remote ON/OFF forced OFF)
Field supply	
K1R	Magnetic relay
EH	Electrical heater



Notes

- When using the central remote control, see manual for connection to the unit.
- The remote controller model varies according to the combination system. See technical materials and catalogues, etc. before connecting.



Colours
 BLK : Black
 ORG : Orange
 WHT : White
 BLU : Blue
 RED : Red