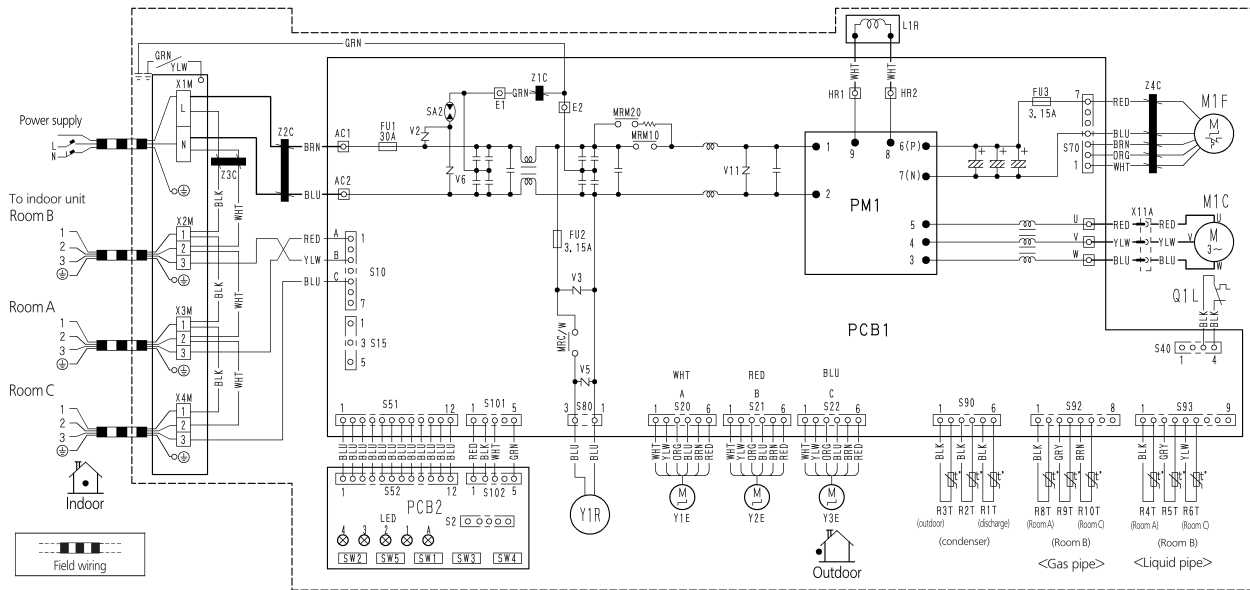


# 3MXS52E



- Z1C-Z4C : Ferrite core
- X1M-X4M : Terminal strip
- Y1E-Y3E : Electronic expansion valve coil
- V2,V3,V5,V6,V11 : Varistor
- SA2 : Surge arrester
- FU1,FU2,FU3 : Fuse
- AC1,AC2 : Connector
- U,V,W,X11A : Connector
- E1,E2 : Connector
- HR1,HR2 : Connector
- MRM10,MRM20 : Magnetic relay
- MRC/W : Magnetic relay
- R1T-R6T : Thermistor
- R8T-R10T : Thermistor

- S2-S102 : Connector
- LED1-LED4 : LED
- LEDA : Pilot lamp
- L : Live
- N : Neutral
- SW1 : Forced operation on/off SW (SW1)
- SW2 : Select SW (SW2)
- SW3 : Wiring error check SW (SW3)
- SW4 : Priority room setting SW (SW4)
- SW5 : Night quiet mode setting SW (SW5)
- M1C : Compressor motor
- M1F : Fan motor
- L1R : Reactor
- Q1L : Overload protector

- PM1 : Power module
- PCB1,2 : Printed circuit board
- Y1R : Reversing solenoid valve coil
- Sheet metal : Terminal strip fixed plate

## Notes:

1. Refer to purchasing specification AS303002, unless otherwise specified.
2. This drawing was drawn on CAD system.