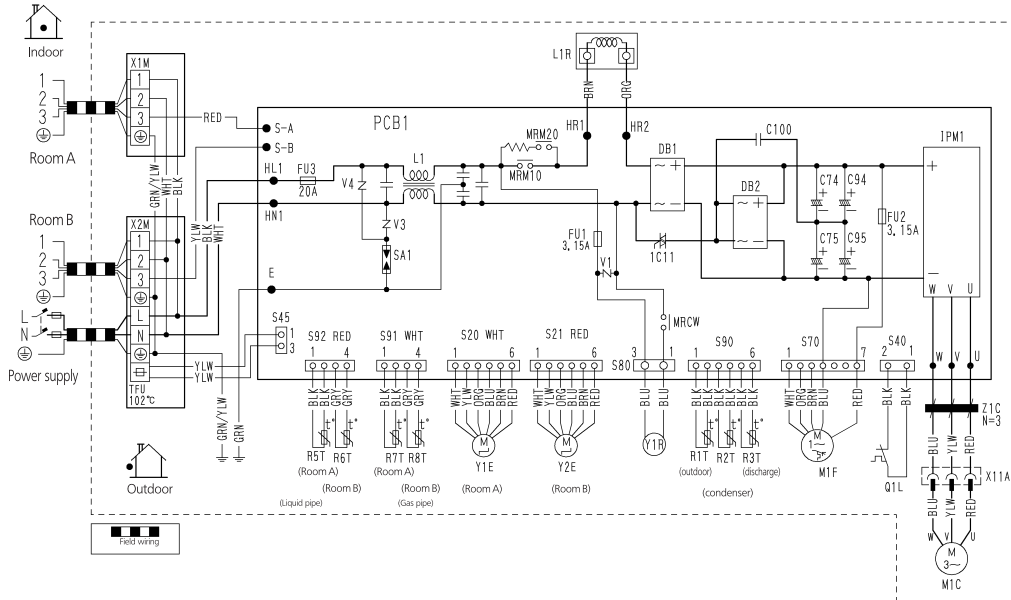


2MXS40H



Notes:

1. Refer to purchasing specification AS303002, unless otherwise specified.
2. This drawing was drawn on CAD system.
3. The electric wiring diagram label is 3P189996-1.

C74, C75, C94 : Capacitor
 C95, C100 : Capacitor
 DB1, DB2 : Diode bridge
 FU1, FU2, FU3 : Fuse
 IC11 : Triac
 IPM1 : Intelligent power module
 L : Live
 L1 : Coil
 L1R : Reactor
 M1C : Compressor motor

M1F : Fan motor
 MRCW, MRM10, MRM20 : Magnetic relay
 N : Neutral
 PCB1 : Printed circuit board
 Q1L : Overload protector
 R1T~R8T : Thermistor
 SA1 : Surge arrester
 TFU : Thermal fuse

V1, V3, V4 : Varistor
 X1M, X2M : Terminal strip
 Y1E, Y2E : Electronic expansion valve coil
 Y1R : Reversing solenoid valve coil
 Z1C : Ferrite core
 ⊕ : Protective earth
 S20, S21, S40, S70, S80, S45, S90, S91, S92, X11A : Connector

BLK : Black
 BLU : Blue
 BRN : Brown
 GRY : Grey
 ORG : Orange
 RED : Red
 WHT : White
 YLW : Yellow
 GRN : Green