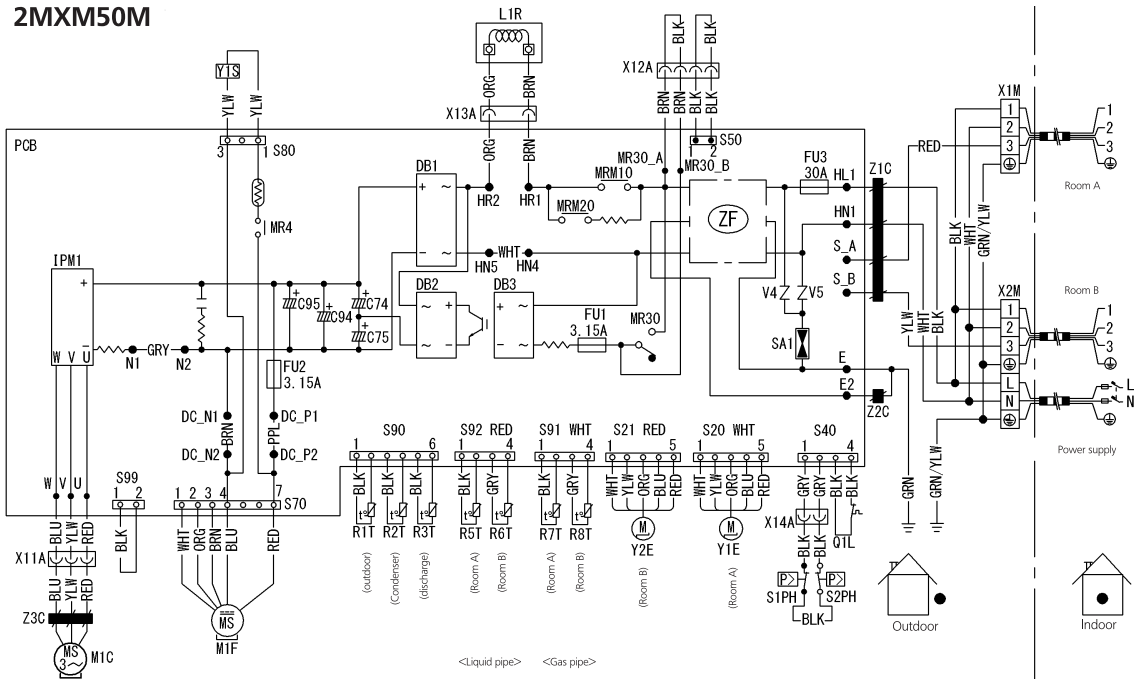


2MXM50M



<Liquid pipe> <Gas pipe>

WHT: White, BLK: Black, BLU: Blue,
BRN: Brown, GRN: Green, GRY: Grey,
ORG: Orange, RED: Red, YLW: Yellow

- C74, C75, C94, C95 : Capacitor
- DB1, DB2, DB3 : Diode bridge
- FU1, FU2, FU3 : Fuse
- IPM1 : Intelligent power module
- LR1 : Reactor
- M1C : Compressor motor
- M1F : Fan motor
- MRM10, MRM20, MR4, MR30 : Magnetic relay

- PCB : Printed circuit board
- Q1L : Overload protector
- R1T-R8T : Thermistor
- SA1 : Surge absorber
- S1PH, S2PH : High pressure switch
- V4, V5 : Varistor
- X1M-X2M : Terminal strip with earth terminal
- Y1E-Y2E : Electronic expansion valve coil
- Y1S : Reversing solenoid valve coil

- ZF : Noise filter
- Z1C-Z3C : Ferrite core
- S2-S502, U, V : Connector
- W, X11A-X13A : Heating-to-cooling changeover
- S99 : Field wiring
- ▬▬▬▬▬ : Screw terminal
- ⊞ : Connector