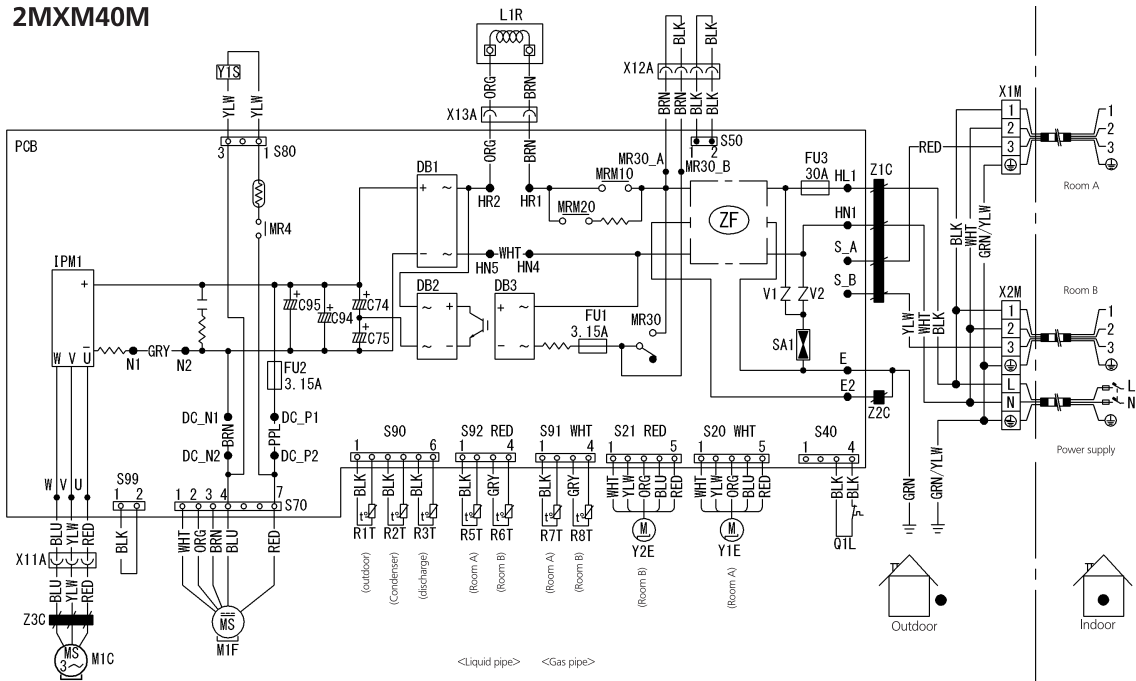


2MXM40M



- C74, C75, C94, C95 : Capacitor
- DB1, DB2, DB3 : Diode bridge
- FU1, FU2, FU3 : Fuse
- IPM1 : Intelligent power module
- LR1 : Reactor
- M1C : Compressor motor
- M1F : Fan motor
- MRM10, MRM20, MR4, MR30 : Magnetic relay

- PCB : Printed circuit board
- Q1L : Overload protector
- R1T-R8T : Thermistor
- SA1 : Surge absorber
- V4, V5 : Varistor
- X1M-X2M : Terminal strip with earth terminal
- Y1E-Y2E : Electronic expansion valve coil
- Y15 : Reversing solenoid valve coil
- ZF : Noise filter

- Z1C-Z3C : Ferrite core
- S2-S502, U, V, W, X11A-X13A : Connector
- S99 : Heating-to-cooling changeover
- ⋮ : Field wiring
- ⊞ : Screw terminal
- ⊞ : Connector

WHT: White, BLK: Black, BLU: Blue,
BRN: Brown, GRN: Green, GRY: Grey,
ORG: Orange, RED: Red, YLW: Yellow