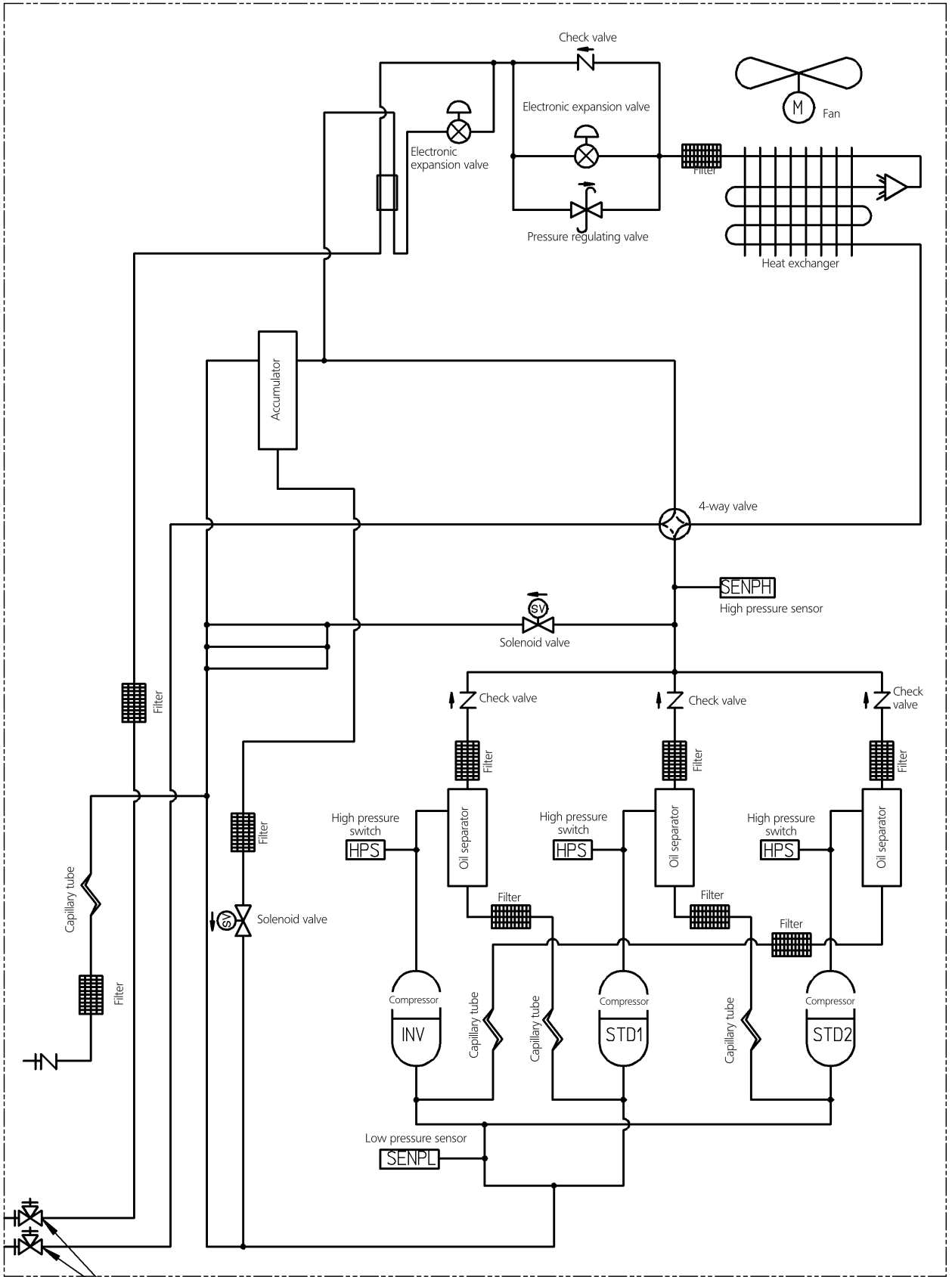


Stop valve (with service port on field piping side ϕ 7.9mm flare connection)



Stop valve (with service port on field piping side ϕ 7.9mm flare connection)