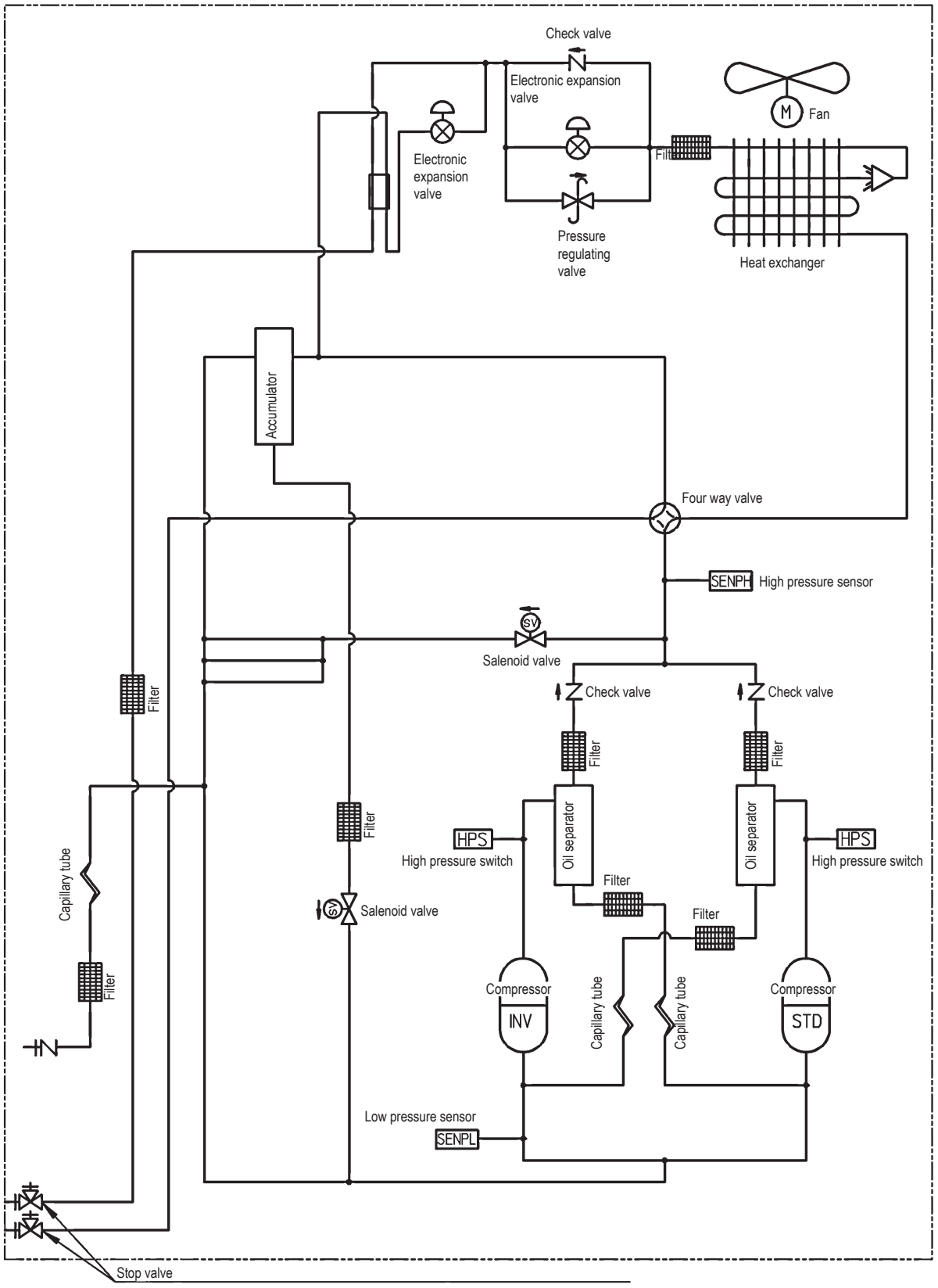
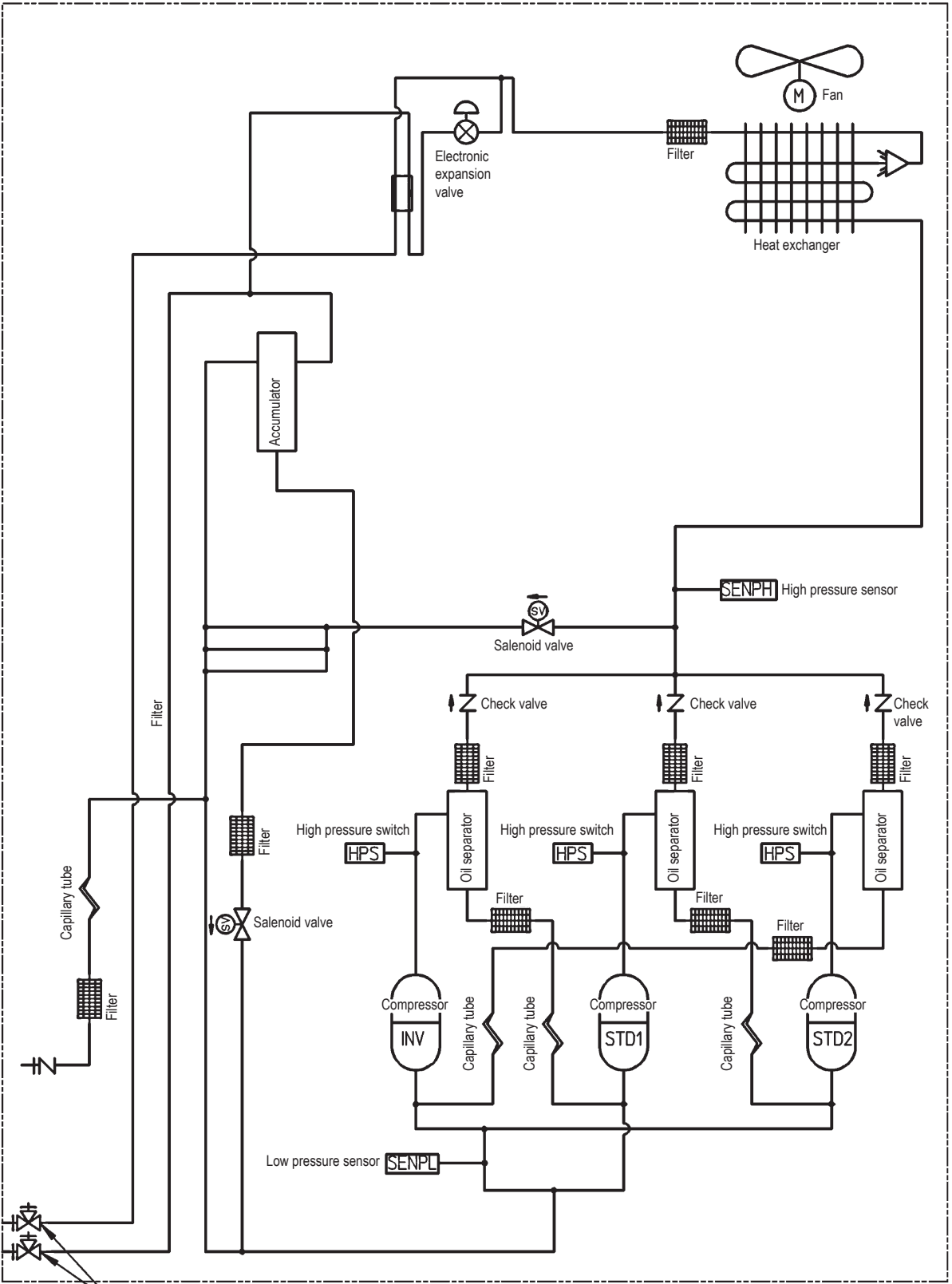


Stop valve
(With service port on on-site piping side Ø 7.9mm flare connection)



(With service port on on-site piping side Ø 7.9mm flare connection)



Stop valve
(With service port on on-site piping side Ø 7.9mm flare connection)