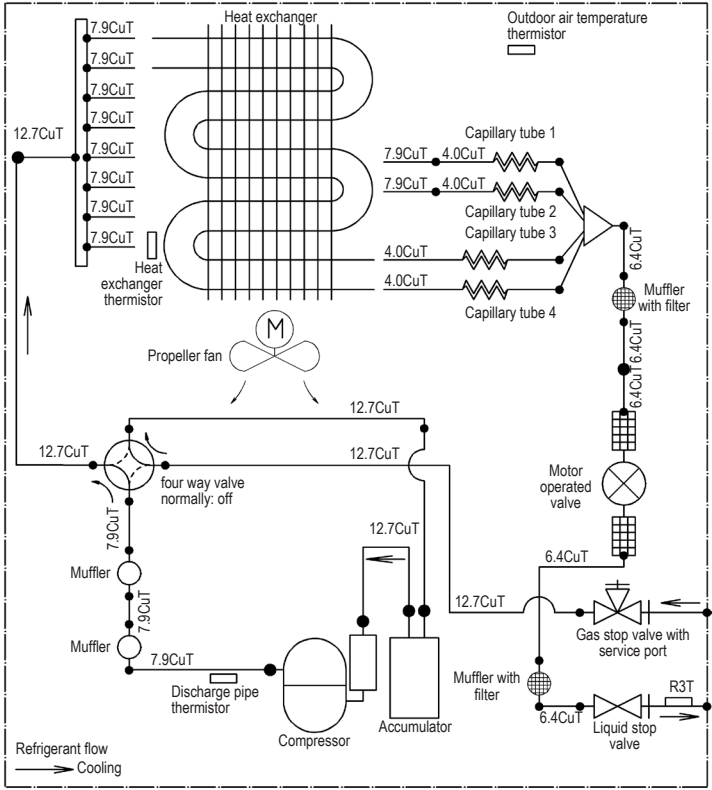
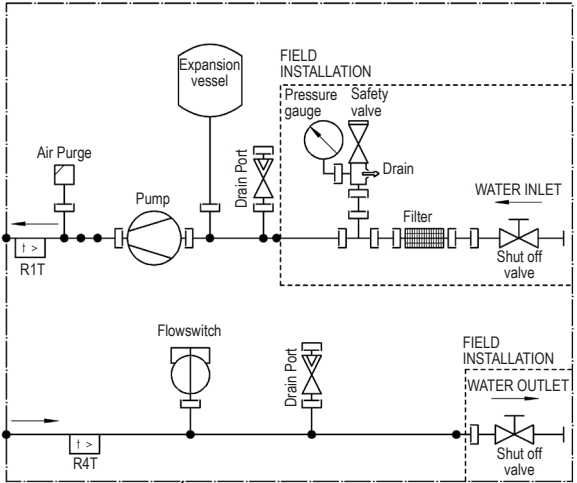


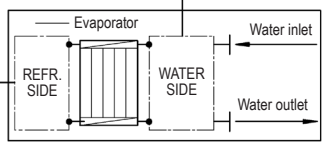
REFRIGERANT SIDE



WATER SIDE



OVERVIEW



MARK	DESCRIPTION
R4T	Inlet water thermistor
R3T	Refrigerant liquid side thermistor
R1T	Outlet water heat-exchanger thermistor