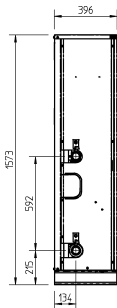
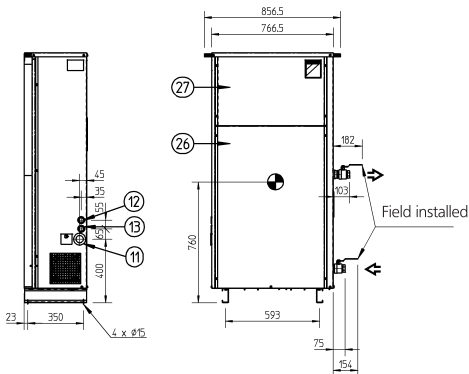
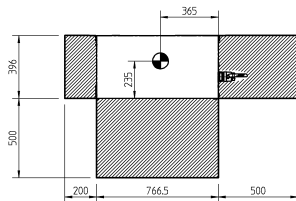
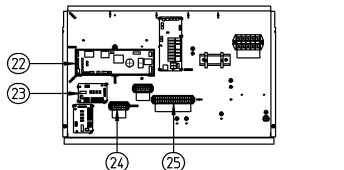
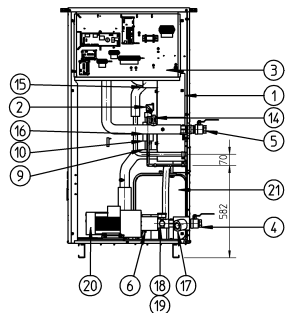


SEHVX20-32AAW

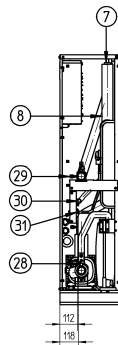


 : Required space around the unit for service

 : Center of gravity

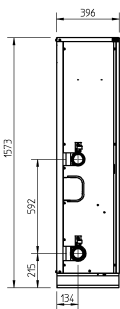
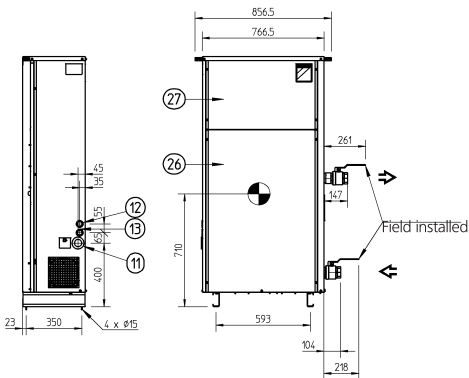
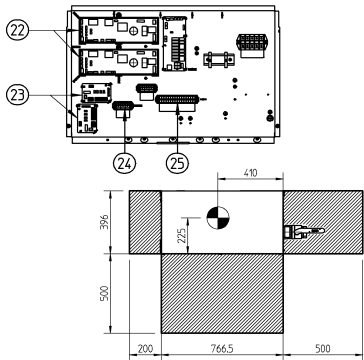


- ① Brazed plate heat exchanger (BPHE)
- ② Expansion valve
- ③ Switchbox
- ④ Chilled water in (G 1-1/4 Female shutoff valve)
- ⑤ Chilled water out (G 1-1/4 Female shutoff valve)
- ⑥ Water drain
- ⑦ Air purge
- ⑧ Leaving water temperature sensor
- ⑨ Entering water temperature sensor
- ⑩ Refrigerant filter
- ⑪ Power supply intake (ϕ 45)
- ⑫ Low voltage supply intake (ϕ 29)
- ⑬ High voltage supply intake (ϕ 29)
- ⑭ Flowswitch
- ⑮ Gas pipe sensor
- ⑯ Liquid pipe sensor



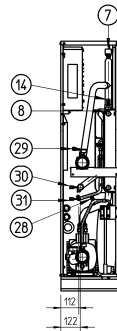
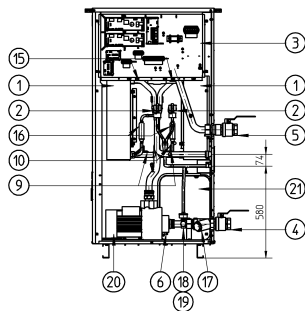
- ⑰ Waterfilter
- ⑱ Water safety valve
- ⑲ Water pressure gauge
- ⑳ Pump
- ㉑ Expansion vessel
- ㉒ Main PCB
- ㉓ Demand PCB
- ㉔ Low voltage terminal
- ㉕ High voltage terminal
- ㉖ Service panel
- ㉗ Service panel switchbox
- ㉘ Water pressure port before BPHE
- ㉙ Water pressure port after BPHE
- ㉚ Refrigerant gas connection (1 inch)
- ㉛ Refrigerant liquid connection (1/2 inch)

SEHVX40-64AAW



 : Required space around the unit for service

 : Center of gravity



- ① Brazed plate heat exchanger (BPHE)
- ② Expansion valve
- ③ Switchbox
- ④ Chilled water in (G 2 Female shutoff valve)
- ⑤ Chilled water out (G 2 Female shutoff valve)
- ⑥ Water drain
- ⑦ Air purge
- ⑧ Leaving water temperature sensor
- ⑨ Entering water temperature sensor
- ⑩ Refrigerant filter
- ⑪ Power supply intake (ϕ 45)
- ⑫ Low voltage supply intake (ϕ 29)
- ⑬ High voltage supply intake (ϕ 29)
- ⑭ Flowswitch
- ⑮ Gas pipe sensor
- ⑯ Liquid pipe sensor

- ⑰ Waterfilter
- ⑱ Water safety valve
- ⑲ Water pressure gauge
- ⑳ Pump
- ㉑ Expansion vessel
- ㉒ Main PCB
- ㉓ Demand PCB
- ㉔ Low voltage terminal
- ㉕ High voltage terminal
- ㉖ Service panel
- ㉗ Service panel switchbox
- ㉘ Water pressure port before BPHE
- ㉙ Water pressure port after BPHE
- ㉚ Refrigerant gas connection (1-1/4 inch)
- ㉛ Refrigerant liquid connection (5/8 inch)