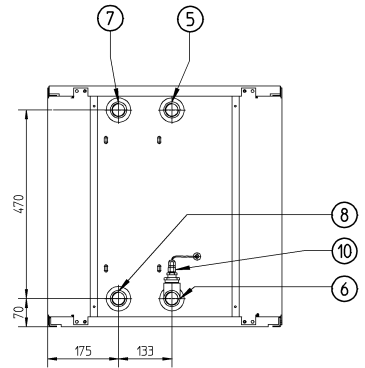


Required service space around the unit

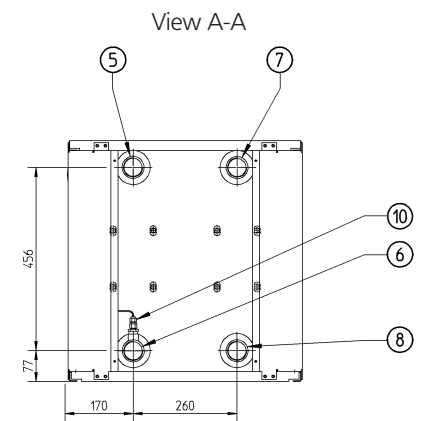
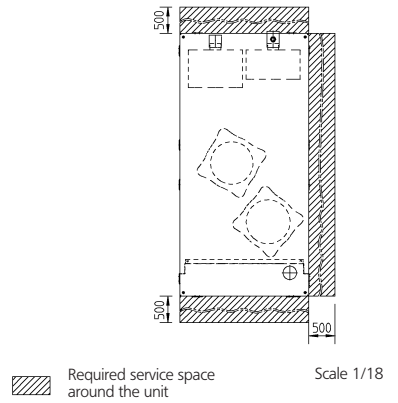
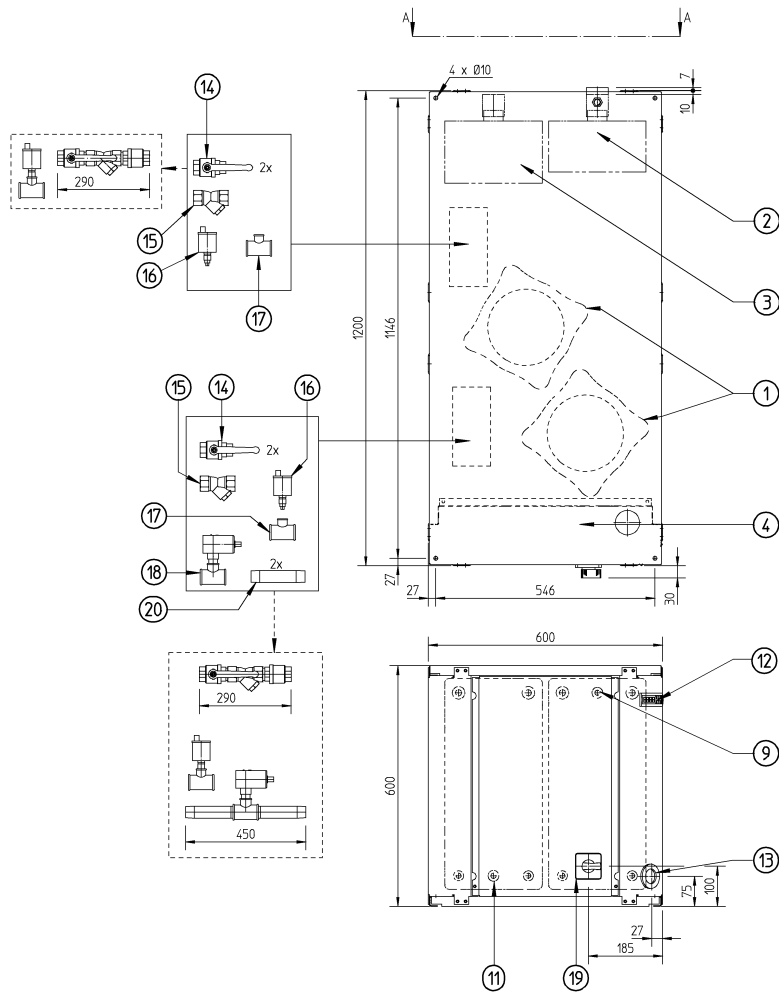
Scale 1/18

View A-A



- 1 Compressor
- 2 Evaporator
- 3 Condenser
- 4 Switchbox
- 5 Chilled water in
- 6 Chilled water out
- 7 Condenser water out
- 8 Condenser water in
- 9 Evaporator entering water temperature sensor
- 10 Freeze up sensor
- 11 Condenser entering water temperature sensor

- 12 Digital display controller
- 13 Power supply intake ( $\phi$  48)
- 14 Ballvalve
- 15 Water filter
- 16 Air purge
- 17 T-joint for air purge
- 18 Flow switch
- 19 Main switch
- 20 Flow switch pipe



- |  |                                     |
|--|-------------------------------------|
| 1 Compressor                                   | 12 Digital display controller       |
| 2 Evaporator                                   | 13 Power supply intake ( $\phi$ 48) |
| 3 Condenser                                    | 14 Ballvalve                        |
| 4 Switchbox                                    | 15 Water filter                     |
| 5 Chilled water in                             | 16 Air purge                        |
| 6 Chilled water out                            | 17 T-joint for air purge            |
| 7 Condenser water out                          | 18 Flow switch                      |
| 8 Condenser water in                           | 19 Main switch                      |
| 9 Evaporator entering water temperature sensor | 20 Flow switch pipe                 |
| 10 Freeze up sensor                            |                                     |
| 11 Condenser entering water temperature sensor |                                     |