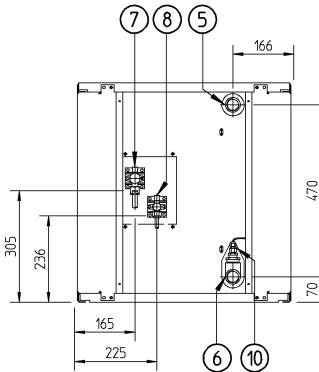
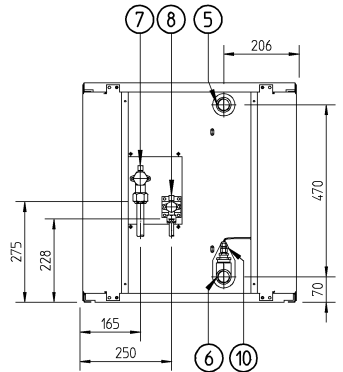


View A-A Only for 5HP



Scale: 1/12

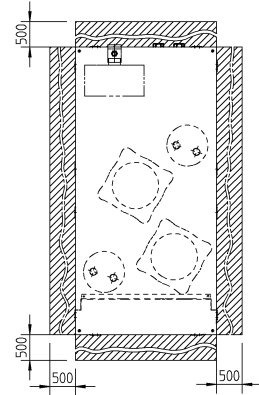
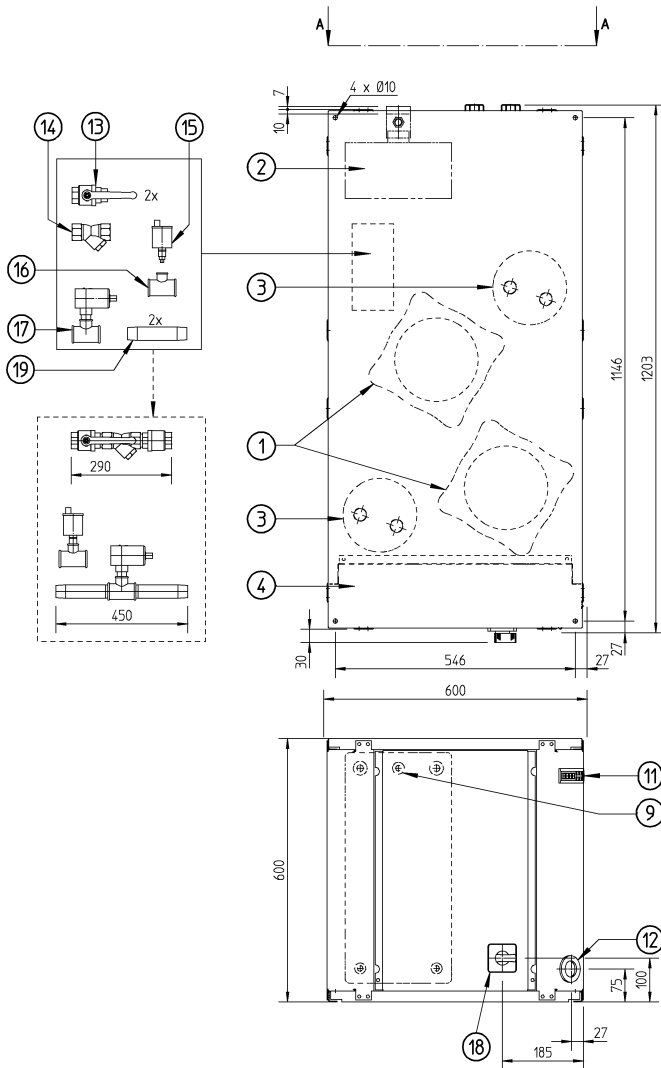
View A-A Only for 8-10-12HP



Scale: 1/12

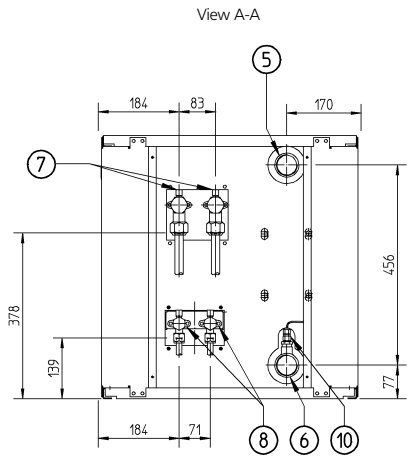
- 1 Compressor
- 2 Evaporator
- 3 Accumulator
- 4 Switchbox
- 5 Chilled water in
- 6 Chilled water out
- 7 Discharge stop valve
- 8 Liquid stop valve
- 9 Evaporator entering water temperature sensor
- 10 Freeze up sensor

- 11 Digital display controller
- 12 Power supply intake (ϕ 48)
- 13 Ballvalve
- 14 Water filter
- 15 Air purge
- 16 T-joint for air purge
- 17 Flow switch
- 18 Main switch
- 19 Flow switch pipe



Required service space around the unit

Scale: 1/18



- | | |
|--|-------------------------------------|
| 1 Compressor | 11 Digital display controller |
| 2 Evaporator | 12 Power supply intake (ϕ 48) |
| 3 Accumulator | 13 Ballvalve |
| 4 Switchbox | 14 Water filter |
| 5 Chilled water in | 15 Air purge |
| 6 Chilled water out | 16 T-joint for air purge |
| 7 Discharge stop valve | 17 Flow switch |
| 8 Liquid stop valve | 18 Main switch |
| 9 Evaporator entering water temperature sensor | 19 Flow switch pipe |
| 10 Freeze up sensor | |