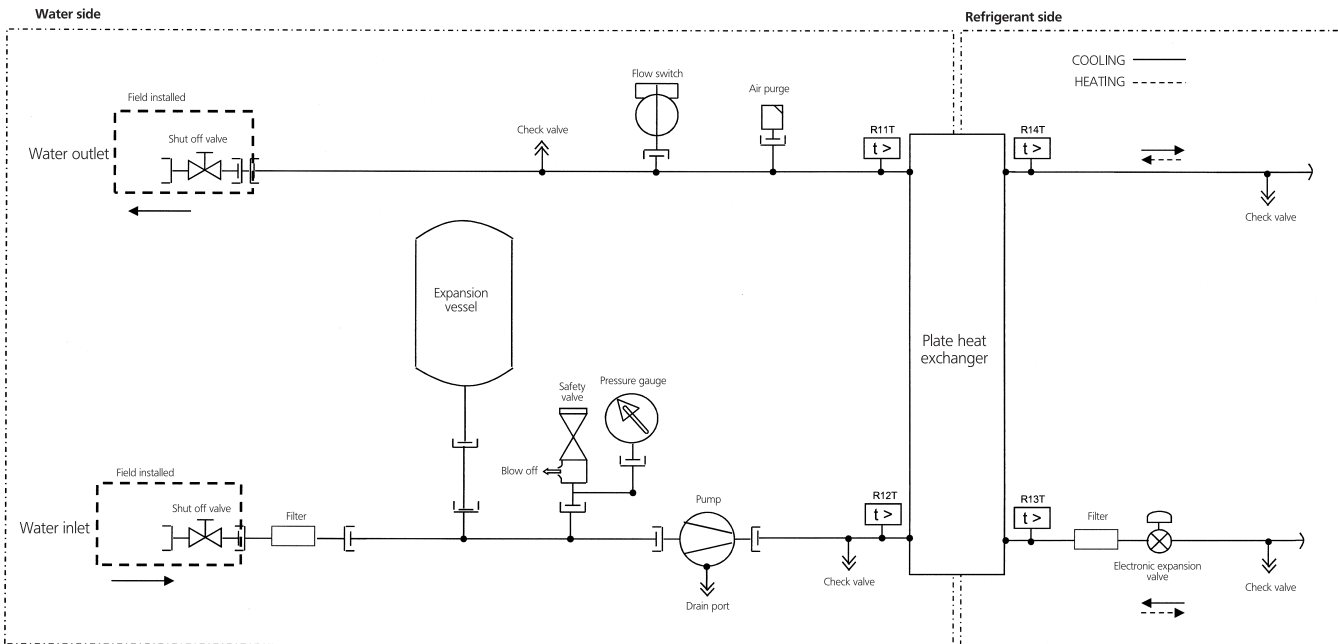


SEHVX20-32AAW



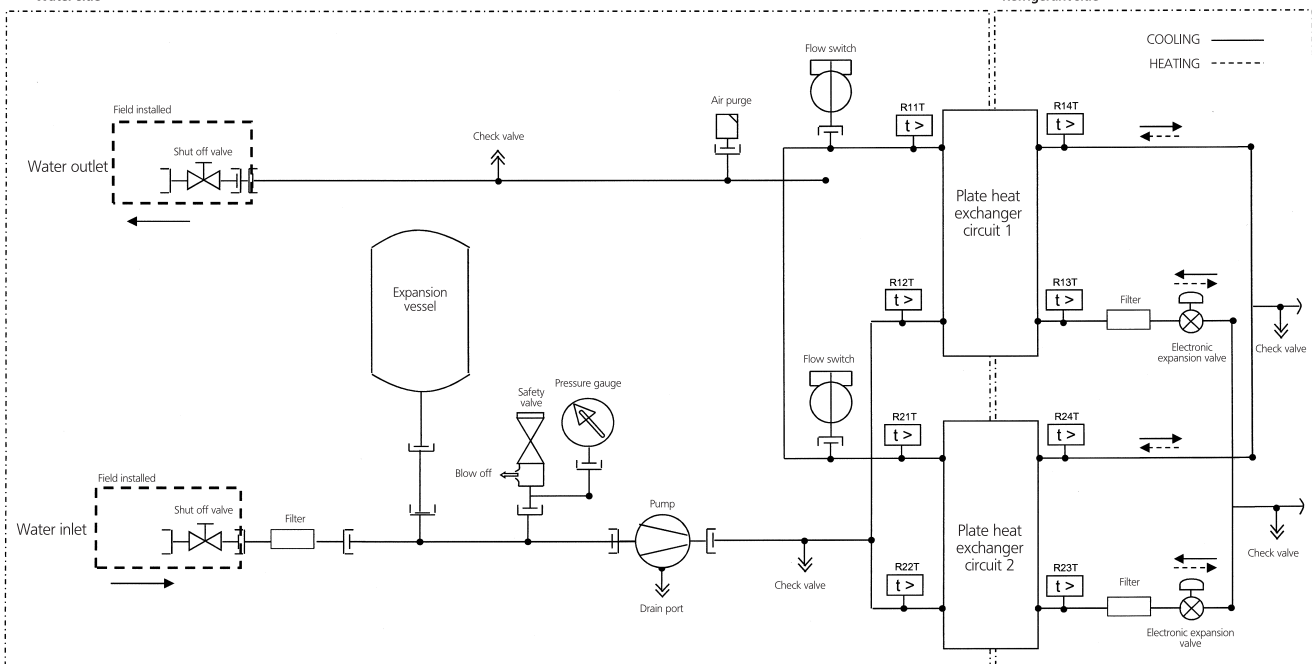
Description sensors

R11T	Outlet water temperature sensor
R12T	Inlet water temperature sensor
R13T	Refrigerant liquid temperature sensor
R14T	Refrigerant gas temperature sensor

SEHVX40-64AAW

Water side

Refrigerant side



Description sensors circuit 1

R11T	Outlet water temperature sensor
R12T	Inlet water temperature sensor
R13T	Refrigerant liquid temperature sensor
R14T	Refrigerant gas temperature sensor

Description sensors circuit 2

R21T	Outlet water temperature sensor
R22T	Inlet water temperature sensor
R23T	Refrigerant liquid temperature sensor
R24T	Refrigerant gas temperature sensor



Check valve



Flange connection



Flare connection



Pinched pipe



Screw connection



Spinned pipe